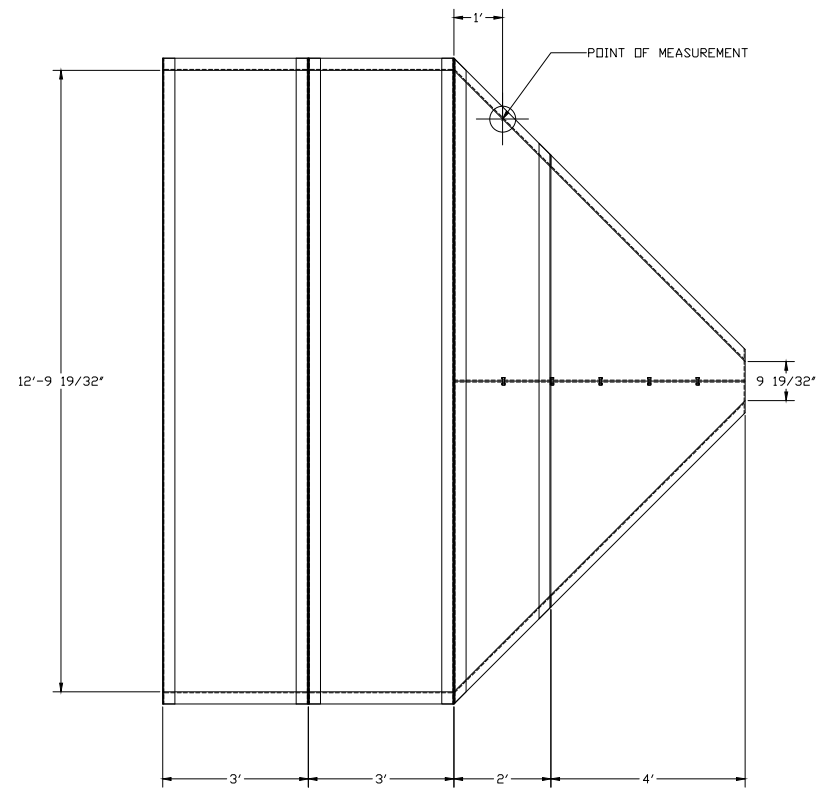
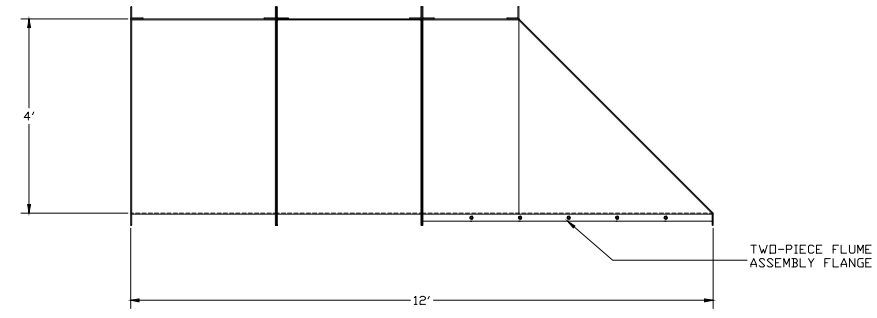


FLOW METER:	N/A
CONNECTION:	N/A
HDR:	3" X 3" PULTRUSION
ACCESSORIES:	MULTI-PIECE CONSTRUCTION
	MULTI-PIECE, SHORTENED APPROACH SECTION



PLAN ELEVATION



RIGHT ELEVATION

- 1) FLOW IS FROM LEFT TO RIGHT
- 2) ANCHOR CLIPS AND STIFFENING RIBS ARE NOT SHOWN FOR CLARITY
- 3) FLUME SHIPS DISASSEMBLED - FIELD ASSEMBLY BY OTHERS

TRACOM FIBERGLASS PRODUCTS	TWO-PIECE 4.0' HL-FLUME WITH TWO-PIECE SHORTEND APPROACH SECTION	
	DWG. NO. HL4.0-A-N-N-N-N-N-AA	REV 0
PROJECT	MWH GLOBE, AZ	DATE 1/30/09