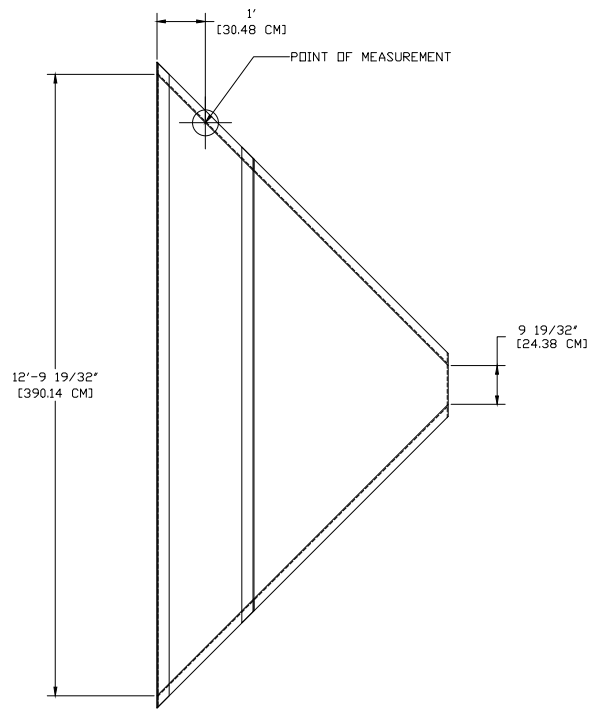
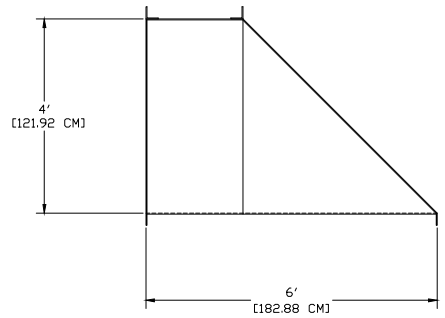


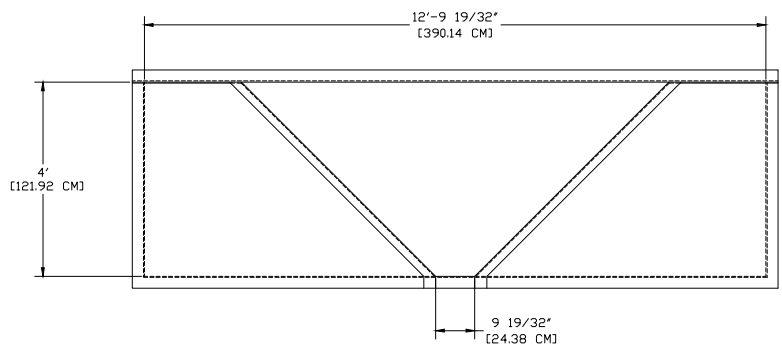
FLOW METER:	N/A
CONNECTION:	N/A
HDR:	3" X 3" PULTRUSION
ACCESSORIES:	NONE



PLAN ELEVATION



RIGHT ELEVATION



- 1) FLOW IS FROM LEFT TO RIGHT
- 2) EXTERIOR STIFFENING RIBS AND ANCHOR CLIPS NOT SHOWN FOR CLARITY

	4.0' HL-FLUME	
	DWG. NO. HL4.0-N-N-N-N-N-N-N	REV 0
PROJECT	STANDARD FLUME SIZE	DATE 2/13/12