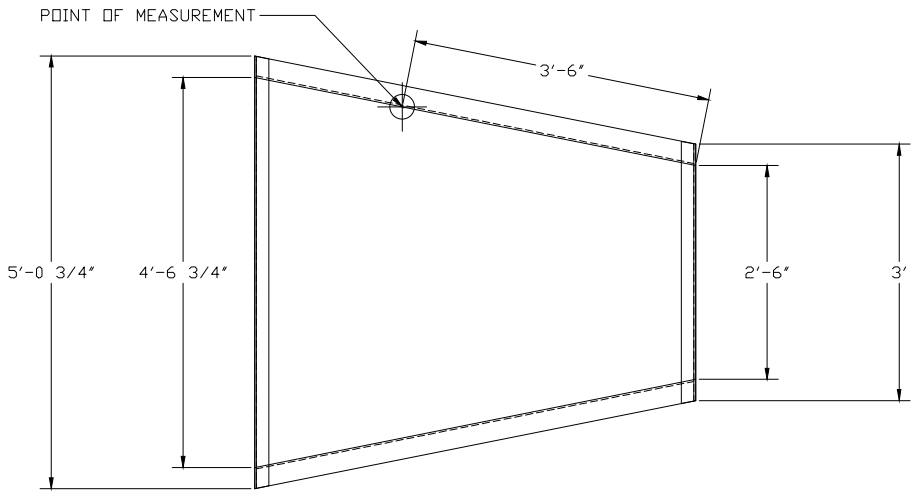
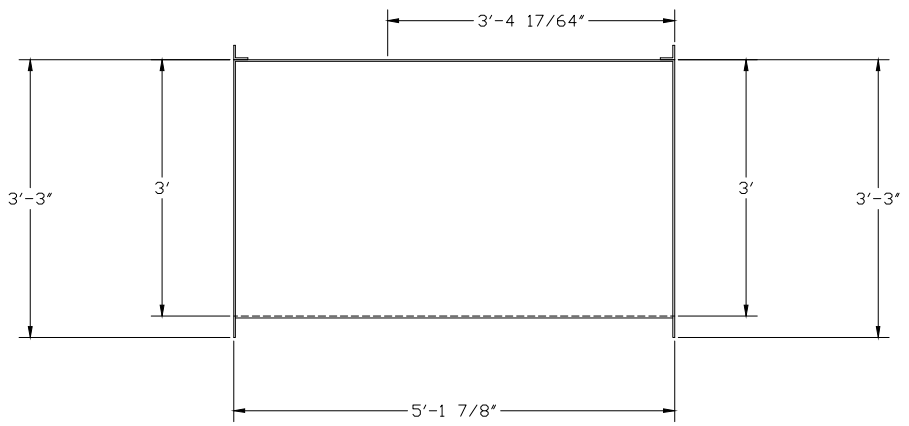


FLOW METER:	N/A
CONNECTION:	N/A
HDR:	2" X 2" PULTRUSION
ACCESSORIES:	NONE



PLAN VIEW



RIGHT ELEVATION

- 1) FLOW IS FROM LEFT TO RIGHT
- 2) FLUME SIZE IS AN INTERPOLATION BETWEEN THE STANDARD 24" AND 36" SIZES
- 3) MONTANA FLUME CONFIGURATION PER WATER MEASUREMENT MANUAL, THIRD EDITION, P. 8-42

	MONTANA FLUME, SIZE 30 INCH	
	DWG. NO.	MON-30-N-N-N-N-N-N
PROJECT	BRIGHTWATER CONVEYANCE KING COUNTY, WA	DATE 4/28/04
		REV 0