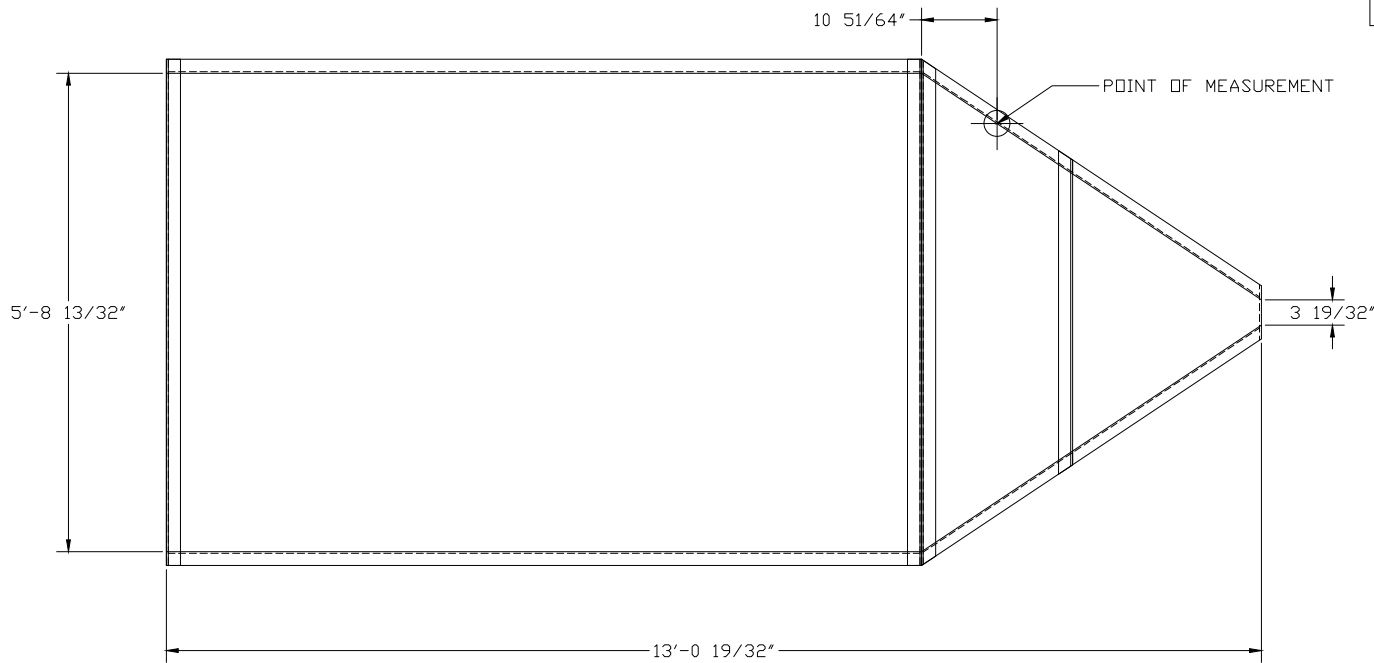
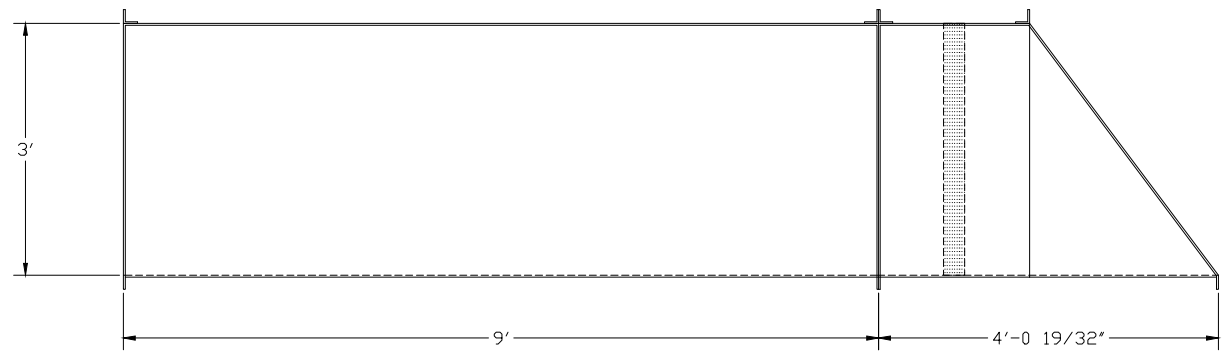


FLOW METER:	N/A
CONNECTION:	N/A
HDR:	2" X 2" PULTRUSION
ACCESSORIES:	APPROACH SECTION STAFF GAUGE (AD/ENGLISH)



PLAN VIEW



RIGHT ELEVATION

1) FLOW IS FROM LEFT TO RIGHT

	3.0' H-FLUME, WITH APPROACH SECTION AND STAFF GAUGE (TENTHS) (RIGHT)	
	DWG. NO.	H3.0-A-N-N-N-ER-N-N
PROJECT	NUCLEAR FUEL SERVICE ERWIN, TN	DATE 9/29/11
		REV 0