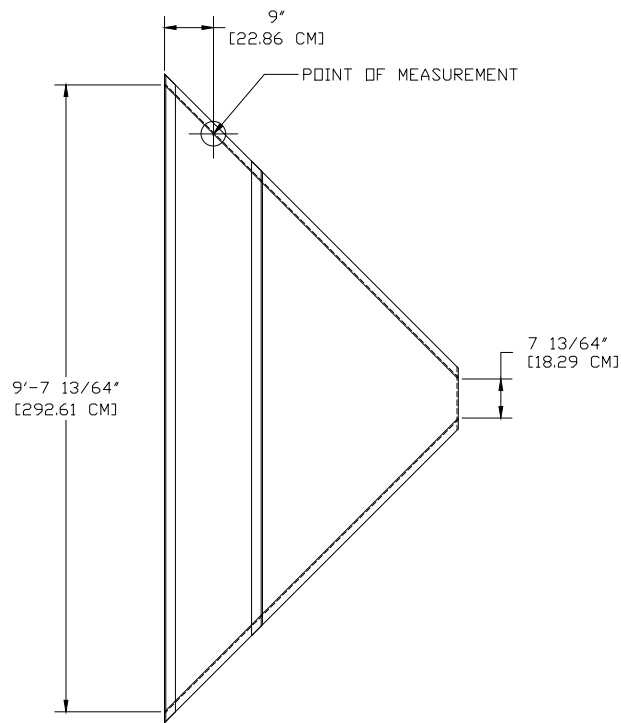
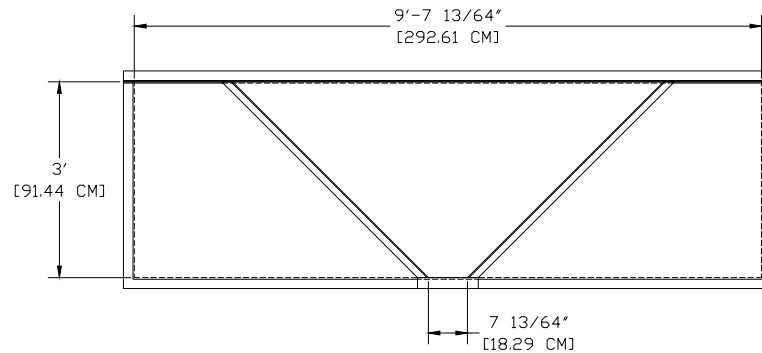


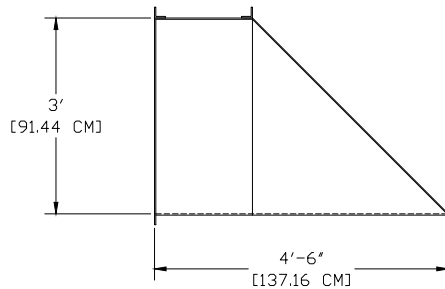
FLOW METER:	N/A
CONNECTION:	N/A
HDR:	2" X 2" PULTRUSION
ACCESSORIES:	NONE



PLAN VIEW



DISCHARGE ELEVATION



RIGHT ELEVATION

- 1) FLOW IS FROM LEFT TO RIGHT
- 2) EXTERIOR STIFFENING RIBS AND ANCHOR CLIPS NOT SHOWN FOR CLARITY

<b>TRACOM</b> FIBERGLASS PRODUCTS	3.0' HL-FLUME	
	DWG. NO. HL3.0-N-N-N-N-N-N-N	REV 0
PROJECT	STANDARD FLUME SIZE	DATE 7/27/10