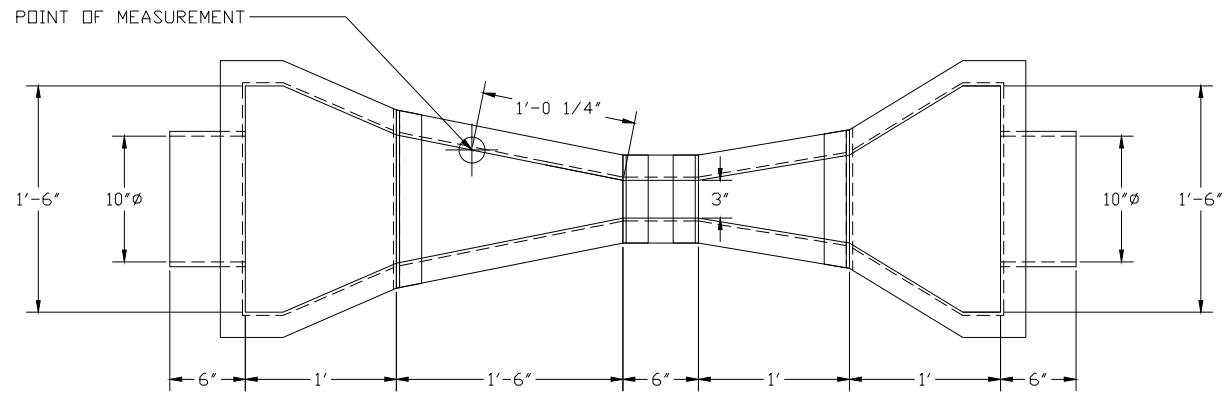
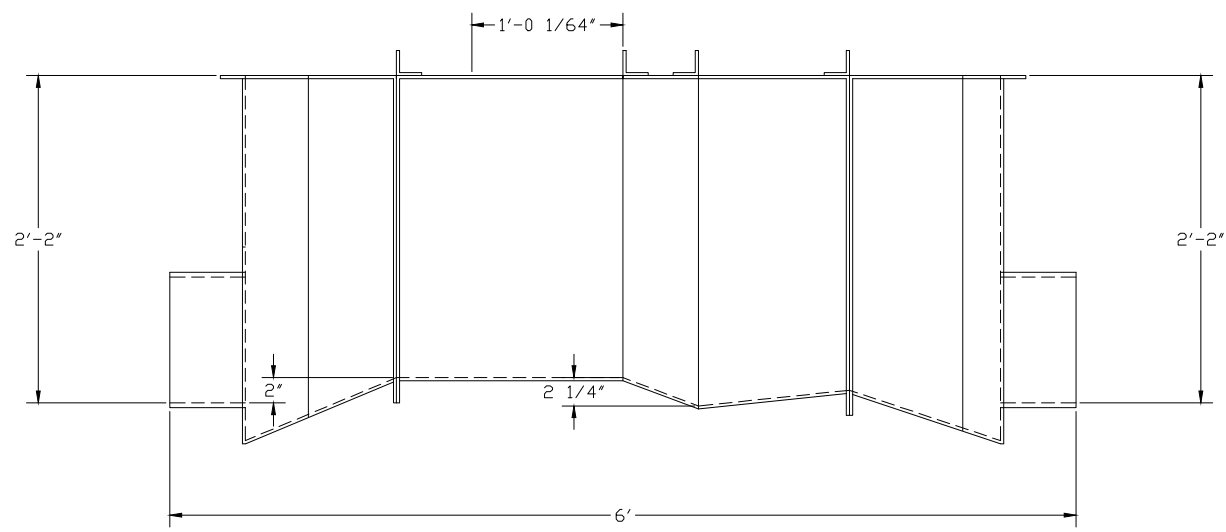


FLOW METER:	N/A
CONNECTION:	10" DIA. C.I./PVC PIPE
HDR:	2" X 2" PULTRUSION
ACCESSORIES:	NONE




PLAN VIEW



RIGHT ELEVATION

1) FLOW IS FROM LEFT TO RIGHT

 FIBERGLASS PRODUCTS	PARSHALL FLUME, SIZE 3 INCH, INLET AND OUTLET END ADAPTERS, WITH 10" PIPE STUBS	
	DWG. NO. PAR-3-B-P10-N-N-N-N	REV 0
PROJECT STANDARD FLUME SIZE	DATE 5/29/03	