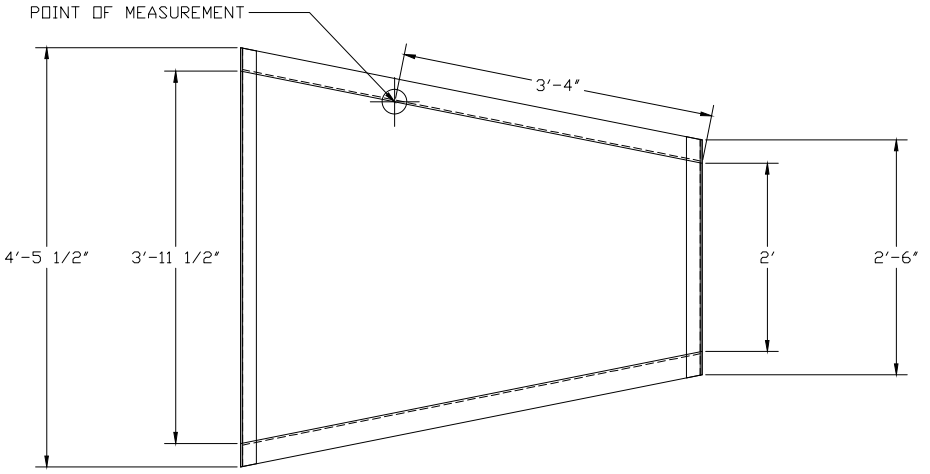
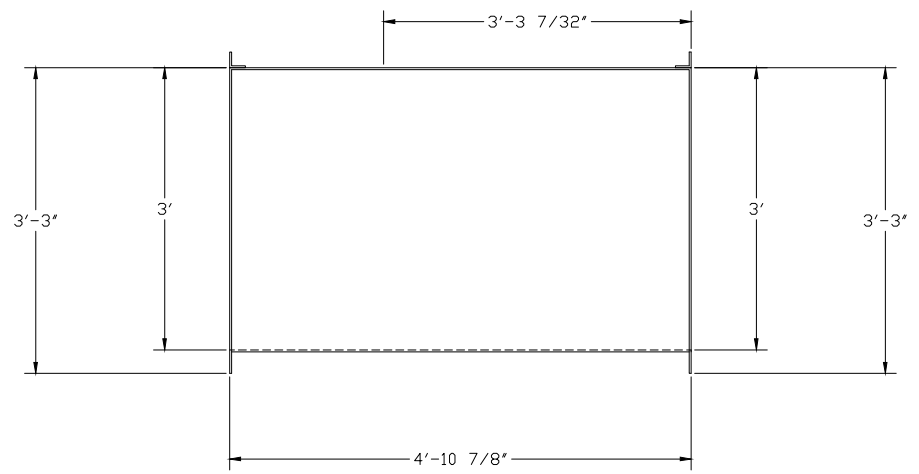



FLOW METER:	N/A
CONNECTION:	CONCRETE CHANNEL
HDR:	2" X 2" PULTRUSION
ACCESSORIES:	NONE



PLAN VIEW



RIGHT ELEVATION

 FIBERGLASS PRODUCTS	MONTANA FLUME, SIZE 24 INCH	
	DWG. NO.	MON-24-N-N-N-N-N-N
PROJECT	BRIGHTWATER CONVEYANCE KING COUNTY, WA	DATE 4/28/04

- 1) FLOW IS FROM LEFT TO RIGHT
- 2) MONTANA FLUME CONFIGURATION PER WATER MEASUREMENT MANUAL, THIRD EDITION, P. 8-42.