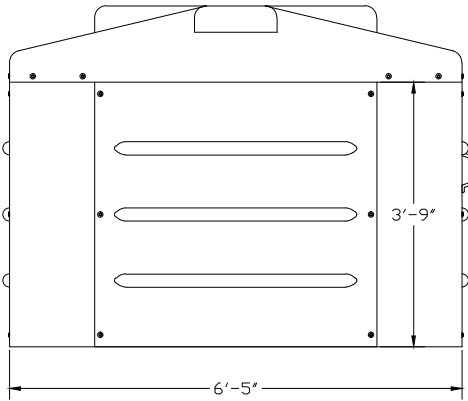
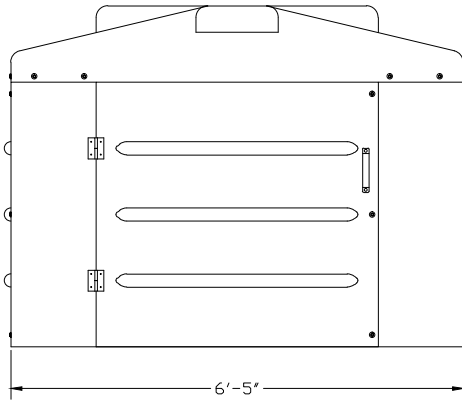


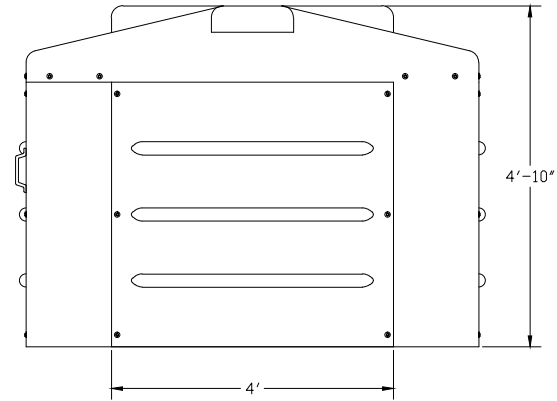
EXTERIOR COLOR: #2105 WINTER PINE	DOOR HDR: (16) 1/4" - 20 3/4" BOLTS
INTERIOR COLOR: #2105 WINTER PINE	(2) SS HINGES - M1151A72
INSULATION: NONE	DOOR HANDLE - M 13665A27
ACCESSORIES: NONE	



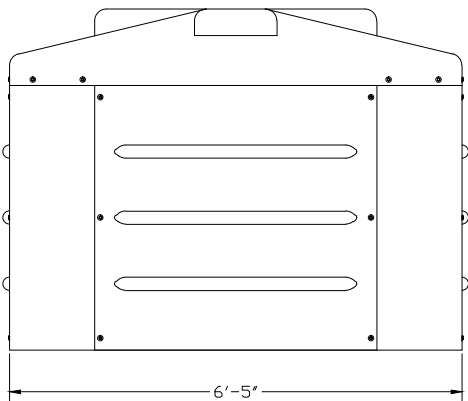
LEFT ELEVATION



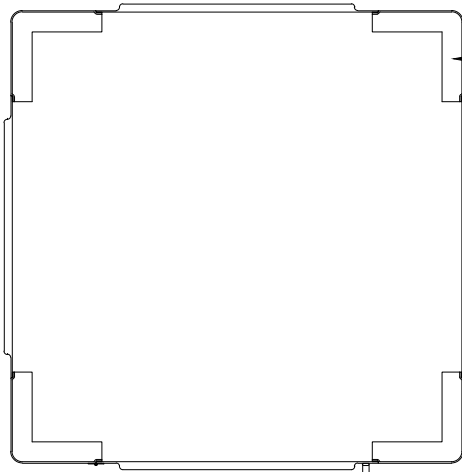
FRONT ELEVATION



RIGHT ELEVATION



REAR ELEVATION



PLAN VIEW

TRACOM
FIBERGLASS PRODUCTS

MODEL 200-161 MODULAR ENCLOSURE, 77" W X 77" D X 58" H, WITH WINTER PINE GEL COAT

DWG. NO. ENCL-200-161M-01	REV 0
---------------------------	-------

- ANCHOR BOLTS BY OTHERS
- REMOVABLE HINGED FRONT DOOR - REMOVABLE (FIXED) SIDE DOORS

PROJECT MODULAR ENCLOSURE	DATE 1/5/05
---------------------------	-------------