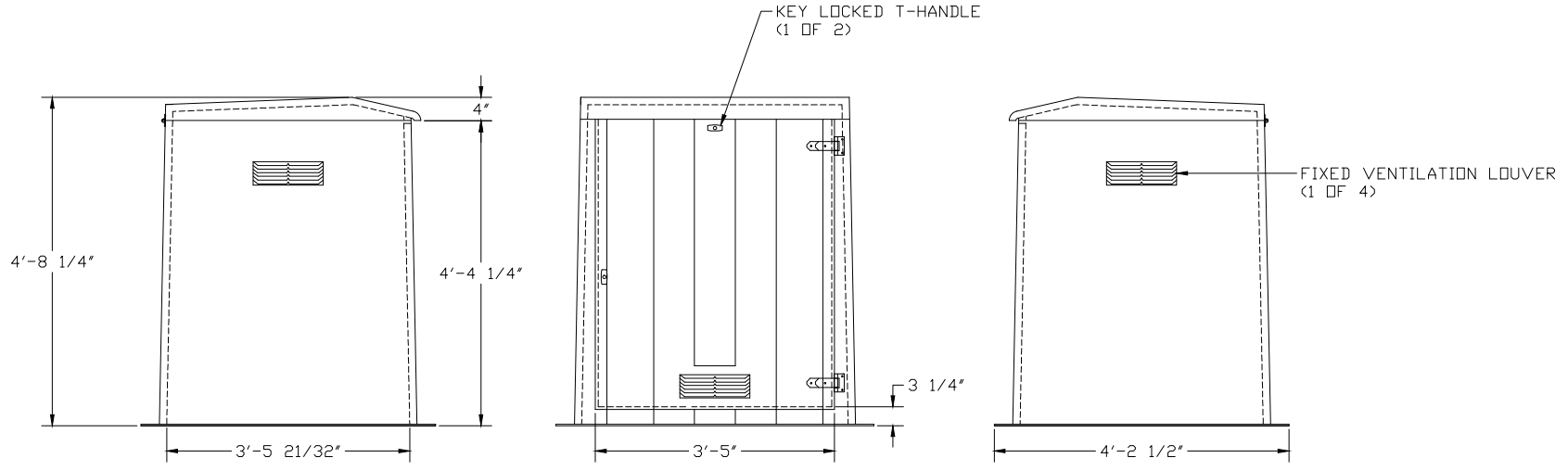


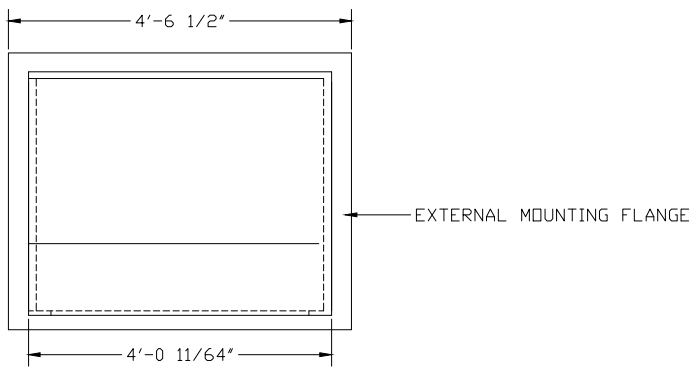
EXTERIOR COLOR: #1555 WHALE BONE	DOOR HDR:	SS STRAP HINGES - MIH 6521-SS
INTERIOR COLOR: #1555 WHALE BONE		SS PIANO HINGE - M 1582A115
INSULATION: 1" (R~7)		(2) SS KEY LOCKED T-HANDLES
LOUVERS: (4) FIXED		(2) SELF-LOCKING DOOR SUPPORT
ACCESSORIES: NONE		ARMS - MIH 107716



LEFT ELEVATION  
(SIDE RIBBING NOT SHOWN)


FRONT ELEVATION

RIGHT ELEVATION  
(SIDE RIBBING NOT SHOWN)



PLAN VIEW

- 1) INTEGRAL FLOOR
- 2) ANCHOR BOLTS BY OTHERS
- 3) (4) FIXED VENTILATION LOUVERS

 FIBERGLASS PRODUCTS	MODEL 200-095 ENCLOSURE, 54-1/2" W X 50-1/2" D X 56-1/4" H, WITH WHALE BONE GEL COAT	
	DWG. NO. ENCL-200-095-01	REV 0
PROJECT STANDARD ENCLOSURE	DATE 4/22/10	