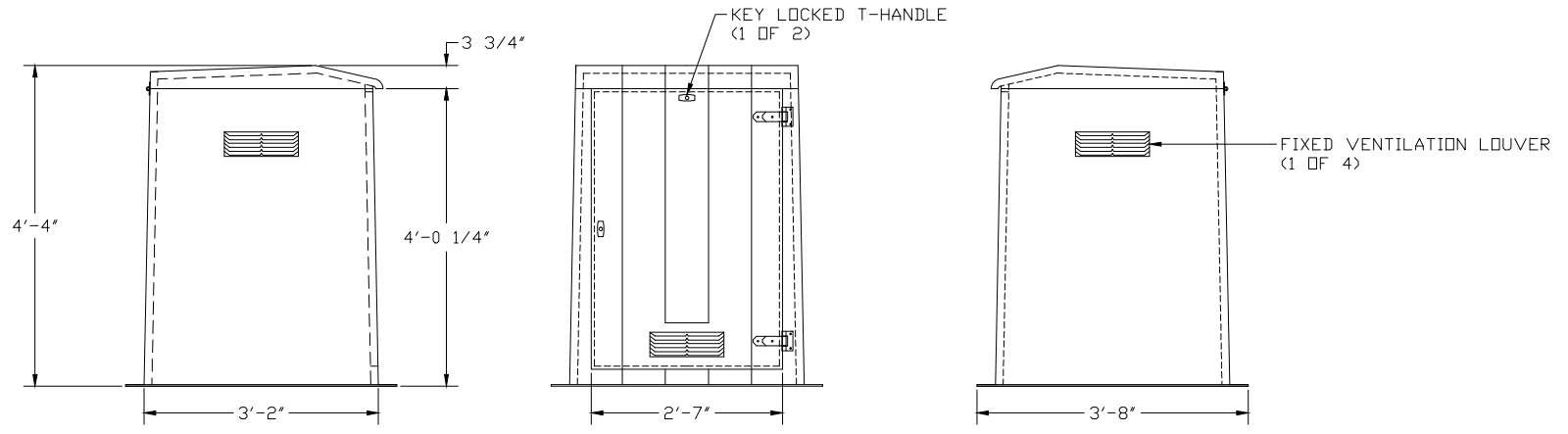


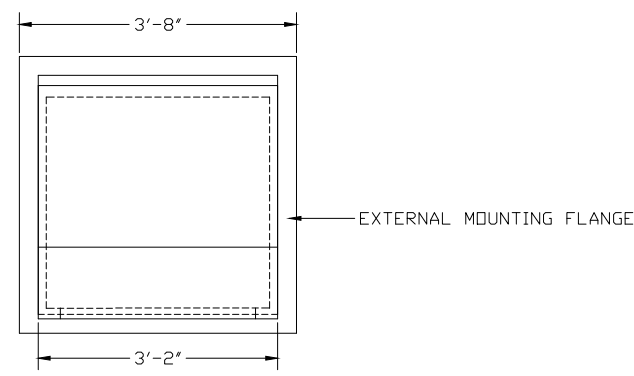
EXTERIOR COLOR: #1555 WHALE BONE	DOOR HDR:	SS STRAP HINGES - MIH 6521-SS
INTERIOR COLOR: #1555 WHALE BONE		SS PIANO HINGE - M 1582A115
INSULATION: 1" (R~7)		(2) SS KEY LOCKED T-HANDLES
LOUVERS: (4) FIXED		(2) SS SELF-LOCKING DOOR
ACCESSORIES: NONE		SUPPORT ARMS - MIH 107716



LEFT ELEVATION


FRONT ELEVATION

RIGHT ELEVATION



PLAN VIEW

- 1) INTEGRAL FLOOR
- 2) ANCHOR BOLTS BY OTHERS

 FIBERGLASS PRODUCTS	MODEL 200-091 ENCLOSURE, 38" W X 38" D X 52" H, WITH WHALE BONE GEL COAT	
	DWG. NO. ENCL-200-091-01	REV 0
PROJECT STANDARD ENCLOSURE SIZE	DATE 7/1/04	