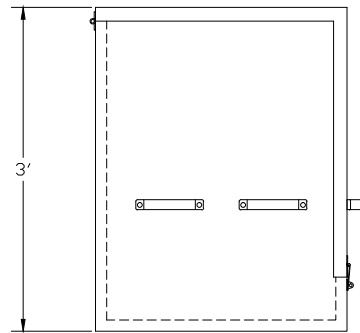
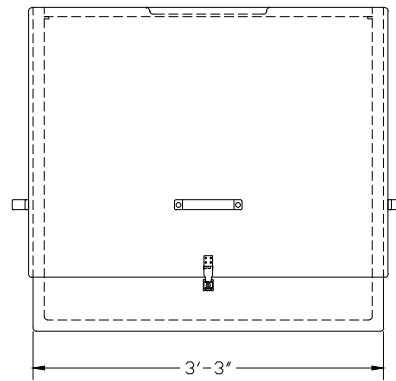


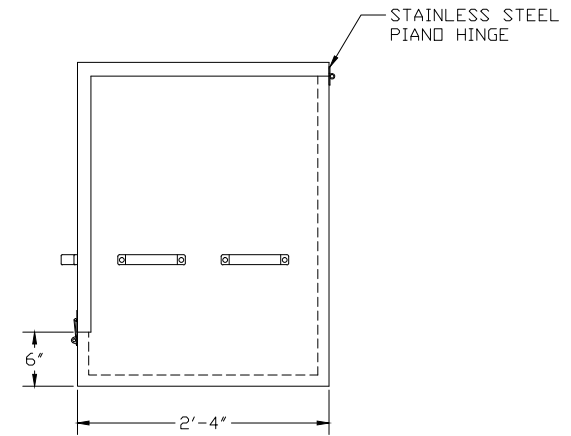
| | |
|----------------------------------|-------------------------------|
| EXTERIOR COLOR: #1555 WHALE BONE | HDR: SS HASP - M 1304A24 |
| INTERIOR COLOR: #1555 WHALE BONE | SS PIANO HINGE - M 1582A115 |
| INSULATION: 1" (R~7) | (5) LIFT HANDLES - M 13665A27 |
| ACCESSORIES: NONE | LIFT ARM - MIH 107716 |



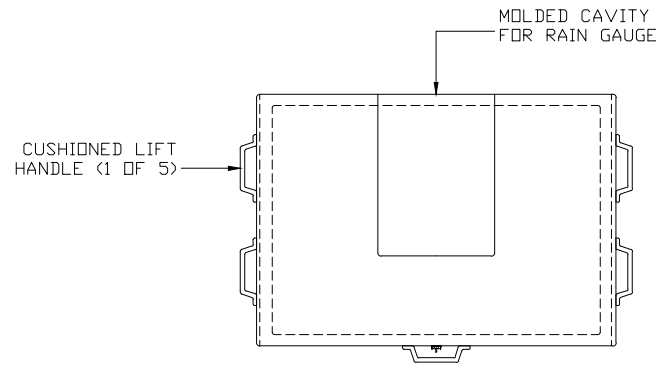
LEFT ELEVATION



FRONT ELEVATION




RIGHT ELEVATION



PLAN VIEW

- 1) INTEGRAL FLOOR
- 2) SELF-LOCKING DOOR SUPPORT ARM NOT SHOWN FOR CLARITY

| | | |
|--|--|-------|
|  FIBERGLASS PRODUCTS | MODEL 200-071 ENCLOSURE, 39" W X 28" D X 36" H, WITH WHALE BONE GEL COAT | |
| | DWG. NO. ENCL-200-071-01 | REV 0 |
| PROJECT STANDARD ENCLOSURE SIZE | DATE 6/6/03 | |