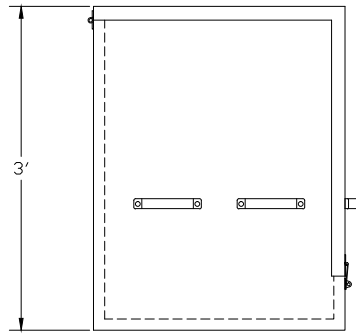
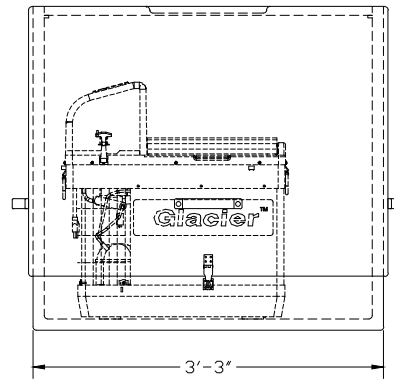


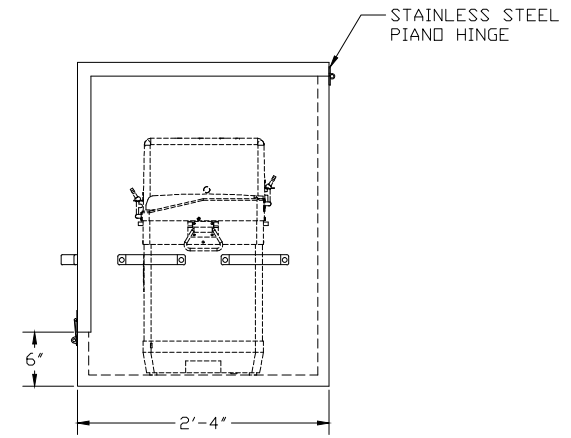
EXTERIOR COLOR: #1555 WHALE BONE	HDR: SS HASP - M 1304A24
INTERIOR COLOR: #1555 WHALE BONE	SS PIANO HINGE - M 1582A115
INSULATION: 1" (R~7)	(5) LIFT HANDLES - M 13665A27
ACCESSORIES: NONE	SS LIFT ARM - MIH 107716



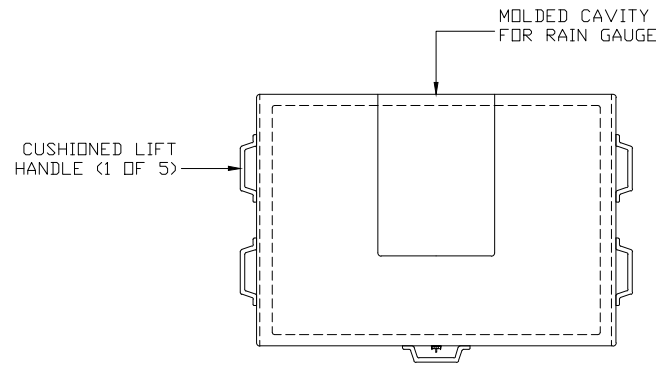
LEFT ELEVATION



FRONT ELEVATION




RIGHT ELEVATION



PLAN VIEW

- 1) INTEGRAL FLOOR
- 2) SELF-LOCKING SS DOOR SUPPORT ARM NOT SHOWN FOR CLARITY
- 3) TELEDYNE-ISCO GLACIER SAMPLER SHOWN

 FIBERGLASS PRODUCTS	MODEL 200-071 ENCLOSURE, 39" W X 28" D X 36" H, WITH WHALE BONE GEL COAT	
	DWG. NO. ENCL-200-071-19	REV 0
PROJECT DOUGLASVILLE - DOUGLAS COUNTY	DATE 10/30/06	