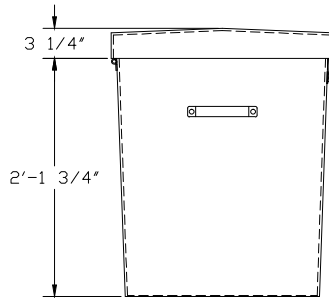
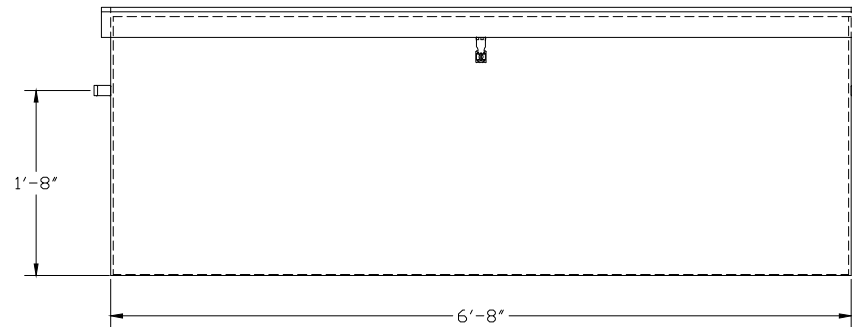


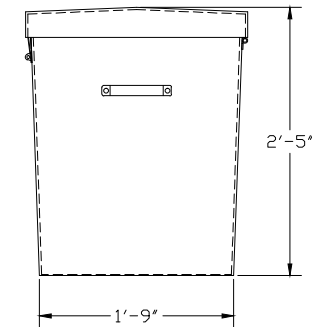
EXTERIOR COLOR: #1555 WHALE BONE	DOOR HDR:	SS PIANO HINGES - M 1582A115
INTERIOR COLOR: #1555 WHALE BONE		SS LOCKABLE HASP - M 1304A24
INSULATION: NONE		(2) SS STOP CHAINS
ACCESSORIES: NONE		(2) LIFT HANDLES - M 13665A27



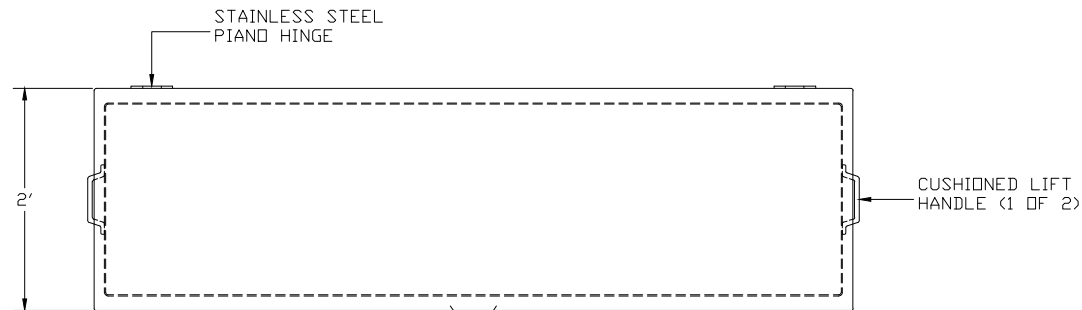
LEFT ELEVATION



FRONT ELEVATION




RIGHT ELEVATION



PLAN VIEW

- 1) INTEGRAL FLOOR
- 2) (2) STAINLESS STEEL LID-STOP CHAINS NOT SHOWN FOR CLARITY

 FIBERGLASS PRODUCTS	MODEL 200-060-80 ENCLOSURE, 80" W X 21" D X 29" H	
	DWG. NO. ENCL-200-060-80-01	REV 0
PROJECT STANDARD ENCLOSURE SIZE	DATE 7/9/02	