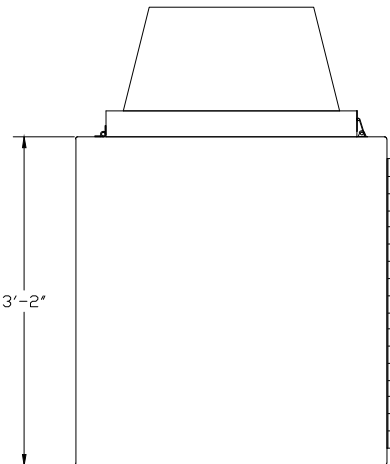
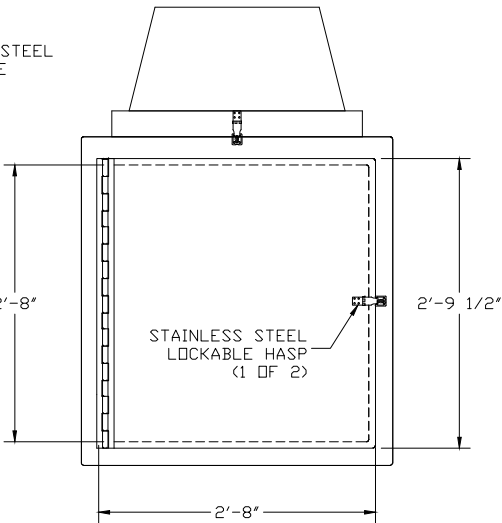


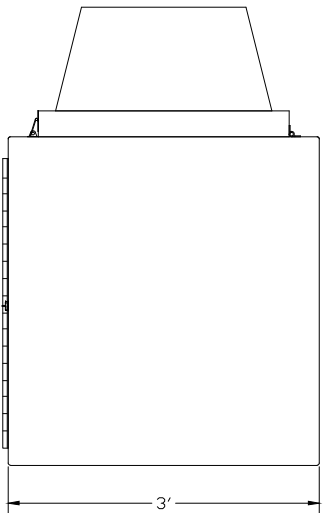
INSULATION:	1" (R~7)	DOOR HDR:	(2) SS PIANO HINGES - M 1582A115
EXTERIOR COLOR:	#2445 GRAY CLOUD		(2) SS HASPS - M 1304A24
INTERIOR COLOR:	#2445 GRAY CLOUD	ACCESSORIES	NONE



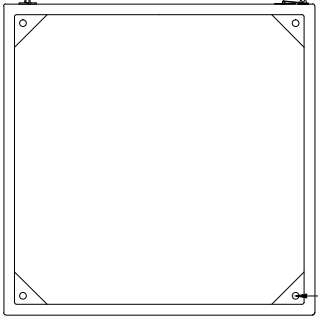
LEFT ELEVATION



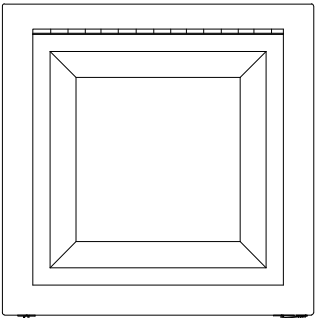
FRONT ELEVATION



RIGHT ELEVATION



PLAN VIEW (BOTTOM)



PLAN VIEW

- 1) OPEN BASE
- 2) ANCHOR BOLTS BY OTHERS

TRACOM
FIBERGLASS PRODUCTS

MODEL 200-021 ENCLOSURE, 36" W X 36" D X 53" H

DWG. NO. ENCL-200-021-01 REV 0

PROJECT STANDARD ENCLOSURE SIZE DATE 9/9/03