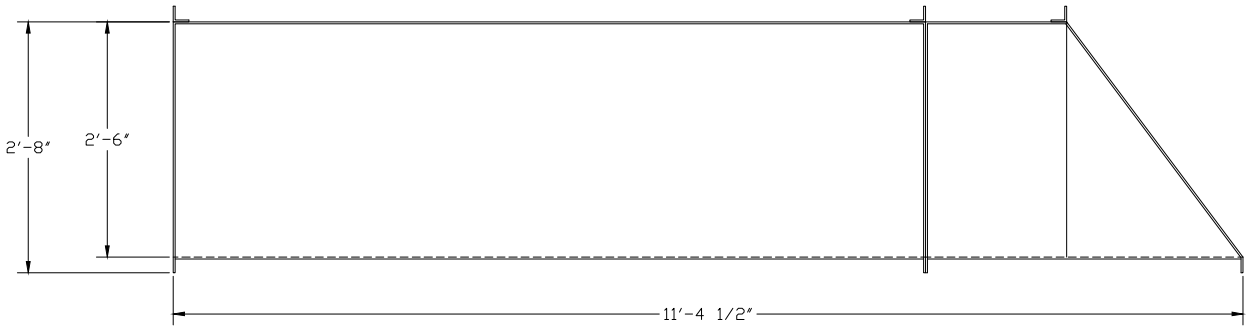
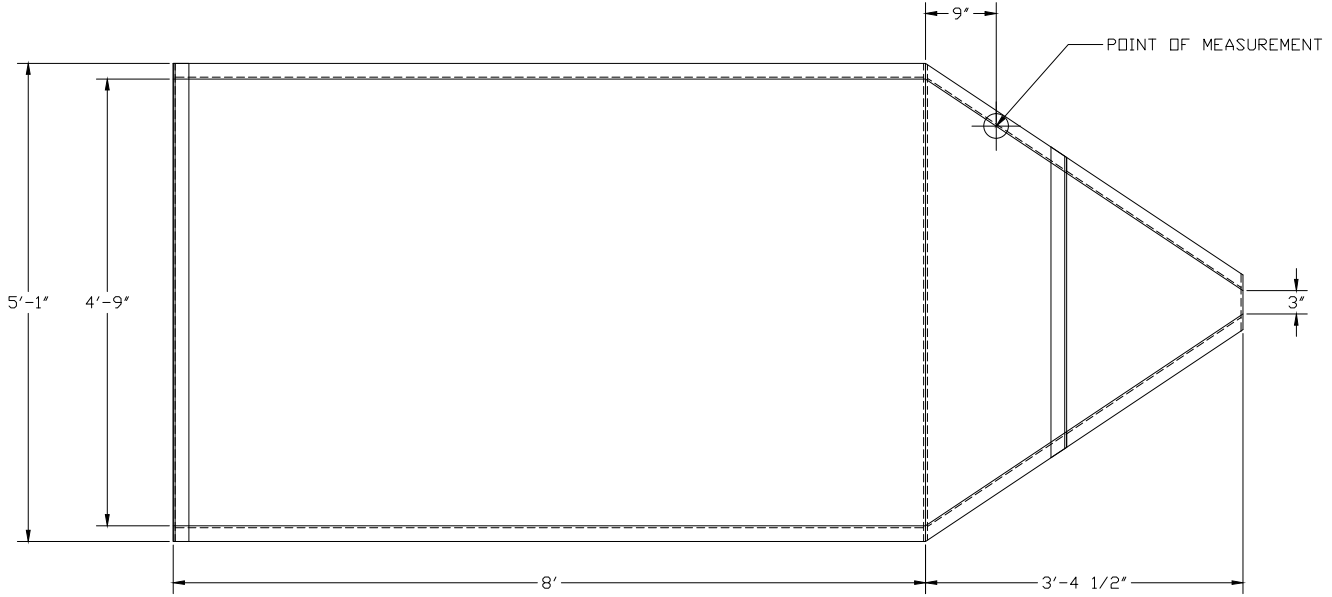


FLOW METER:	N/A
CONNECTION:	N/A
HDR:	2" X 2" PULTRUSION
ACCESSORIES:	APPROACH SECTION



1) FLOW IS FROM LEFT TO RIGHT

	H-FLUME, 2.5' SIZE, WITH APPROACH SECTION	
	DWG. NO. H2.5-A-N-N-N-N-N-N	REV 0
PROJECT UNIVERSITY OF WISCONSIN-MADISON US GEOLOGICAL SURVEY	DATE 12/10/03	