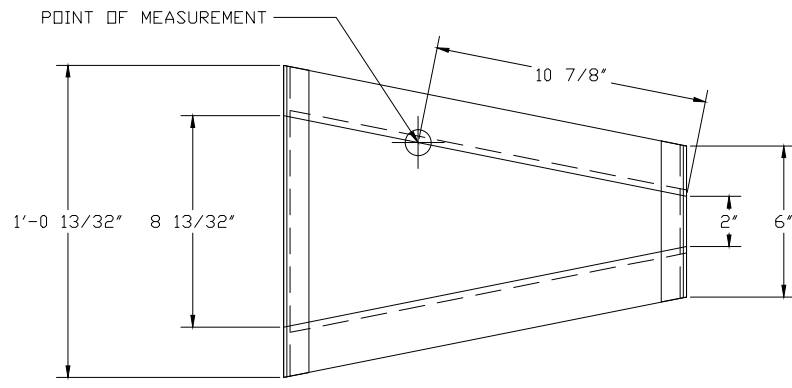
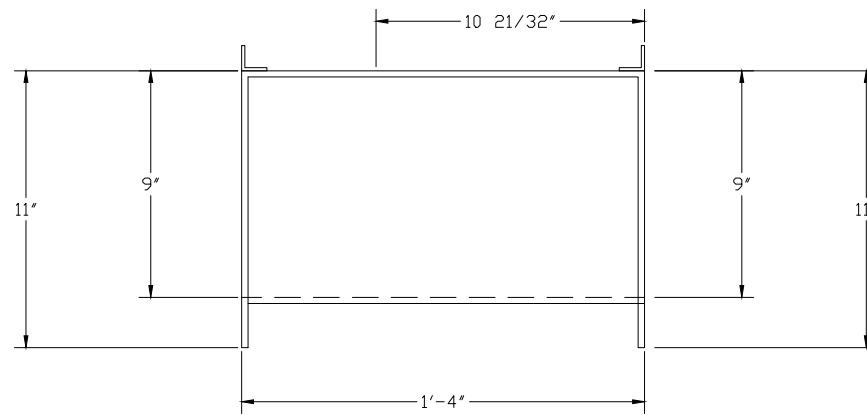


FLOW METER:	N/A
CONNECTION:	CONCRETE CHANNEL
HDR:	1" X 1" PULTRUSION
ACCESSORIES:	NONE



PLAN VIEW



RIGHT ELEVATION

- 1) FLOW IS FROM LEFT TO RIGHT
- 2) MONTANA FLUME CONFIGURATION PER WATER MEASUREMENT MANUAL, THIRD EDITION, P. 8-42

TRACOM FIBERGLASS PRODUCTS	MONTANA FLUME, SIZE 2"	
	DWG. NO. MON-2-N-N-N-N-N-N-N	REV 0
PROJECT	NEW YORK POWER AUTHORITY WHITE PLAINS, NY	DATE 10/20/03