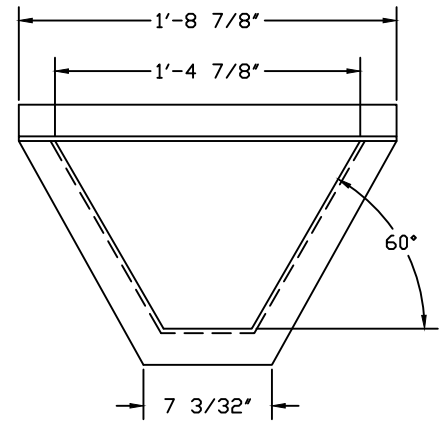
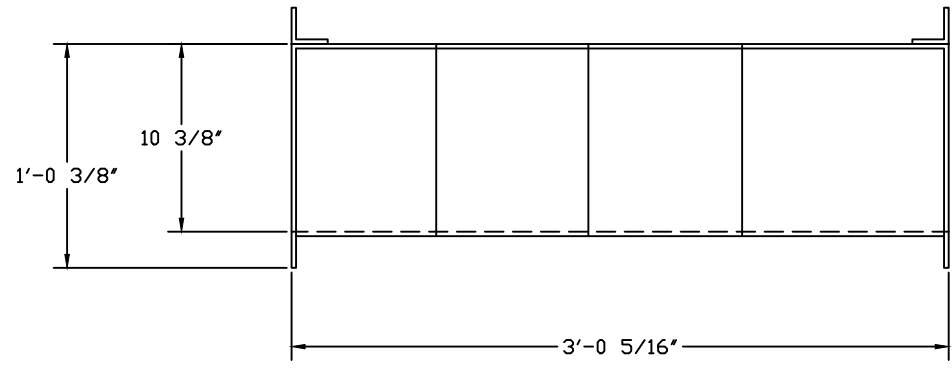
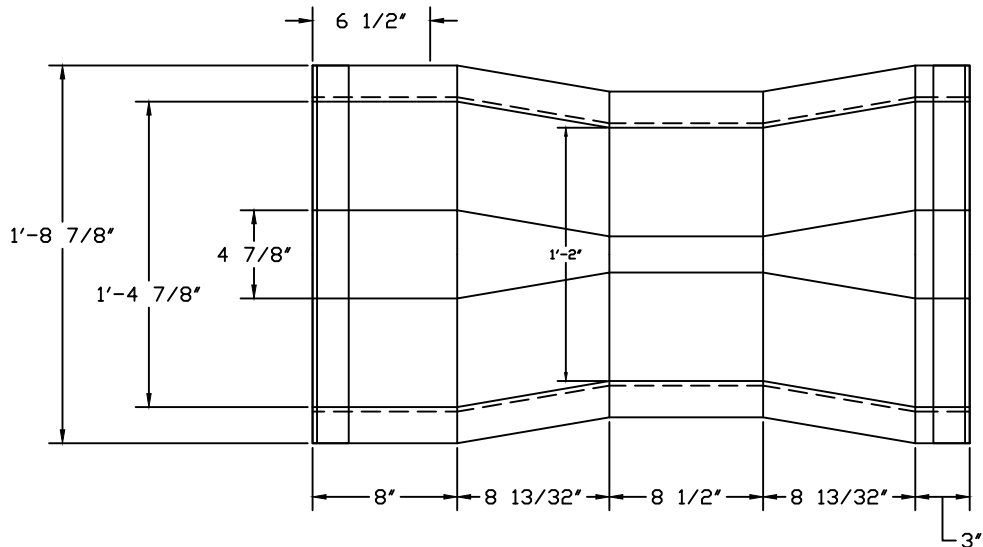


FLOW METER:	N/A
CONNECTION:	N/A
HDR:	2" X 2" PULTRUSION
ACCESSORIES:	NONE



1) FLOW IS FROM LEFT TO RIGHT

	2" 60° V WSC TRAPEZOIDAL FLUME	
	DWG. NO. TRAP-2-60WSC-N-N-N-N-N-N	REV 0
PROJECT	STANDARD FLUME SIZE	DATE 10/8/15