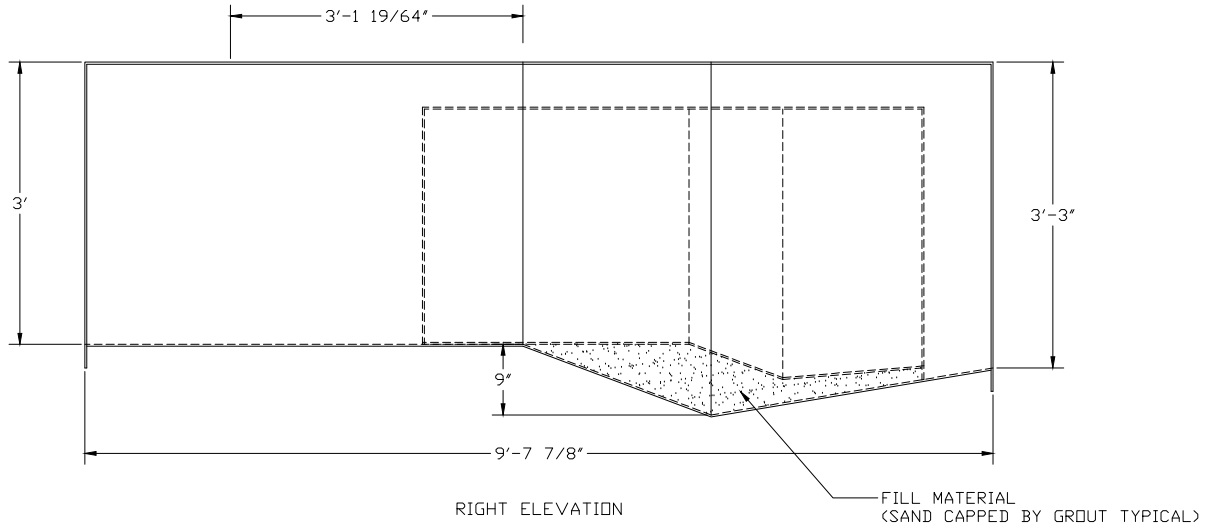
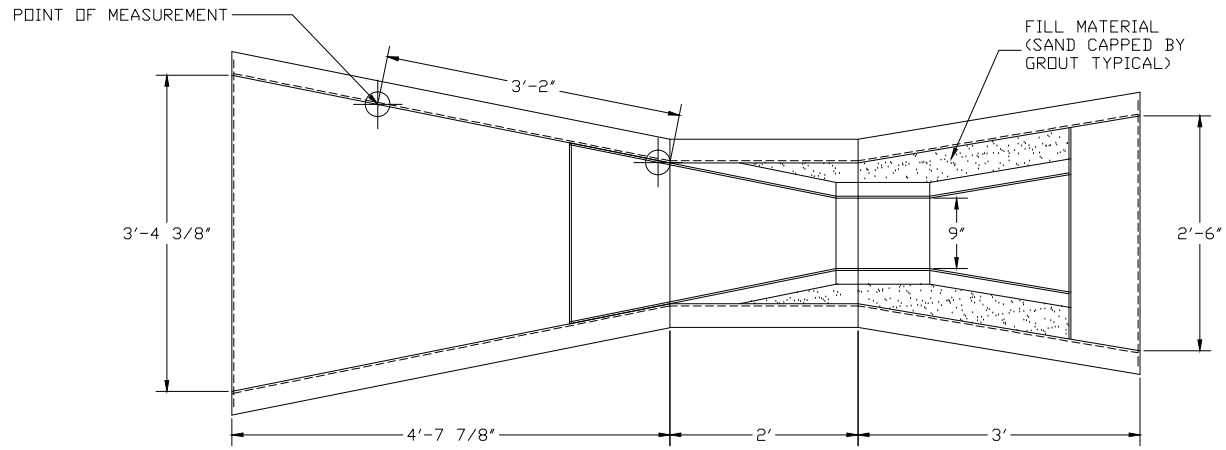


FLOW METER:	N/A
CONNECTION:	CONCRETE CHANNEL
HDR:	2" X 2" PULTRUSION
ACCESSORIES:	NESTED 9" PARSHALL FLUME



- 1) FLOW IS FROM LEFT TO RIGHT
- 2) FILL MATERIALS BY OTHERS
- 3) FILL SPACES BETWEEN FLUMES (SIDES AND BOTTOM) WITH APPROPRIATE MATERIAL (SAND CAPPED BY GROUT TYPICAL)

	PARSHALL FLUME, SIZE 18 INCH, WITH NESTED 9" PARSHALL FLUME	
	DWG. NO. PAR-9N18-N-N-N-N-N-N	REV 0
PROJECT	STANDARD FLUME SIZE	DATE 5/28/03