

8

7

6

5

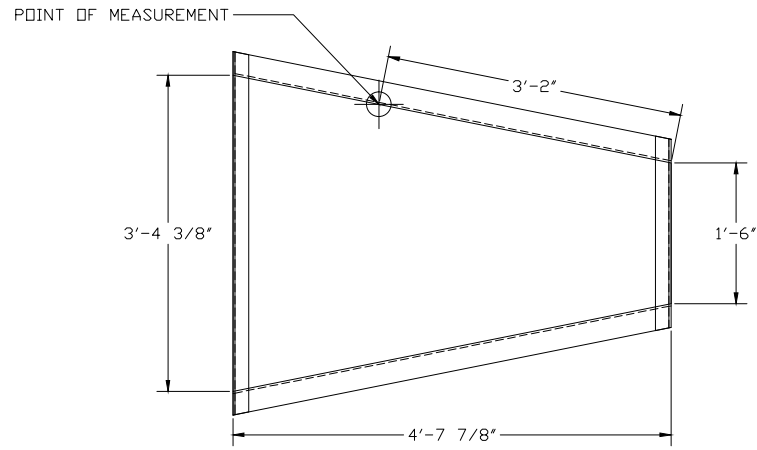
4

3

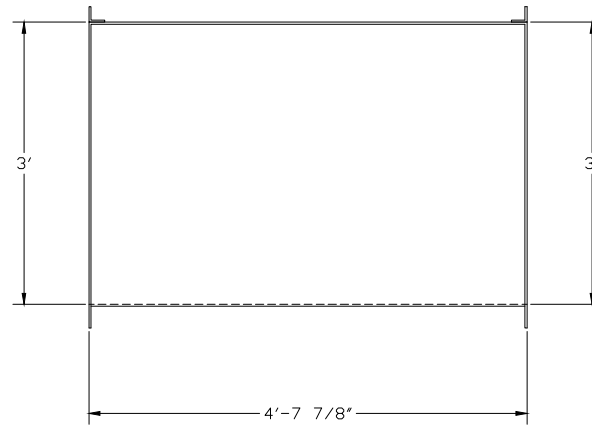
2

1

FLOW METER:	N/A
CONNECTION:	N/A
HDR:	2" X 2" PULTRUSION
ACCESSORIES:	NONE



PLAN VIEW



RIGHT ELEVATION

1) FLOW IS FROM LEFT TO RIGHT

<b>TRACOM</b> FIBERGLASS PRODUCTS	MONTANA FLUME, SIZE 18 INCH	
	DWG. NO. MON-18-N-N-N-N-N-N	REV 0
PROJECT	STANDARD FLUME SIZE	DATE 7/25/12

8

7

6

5

4

3

2

1