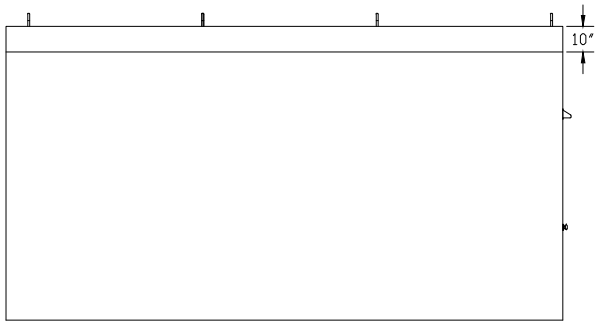
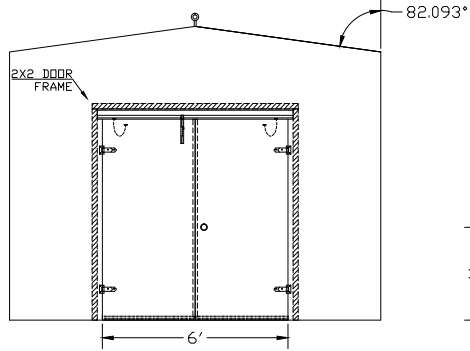


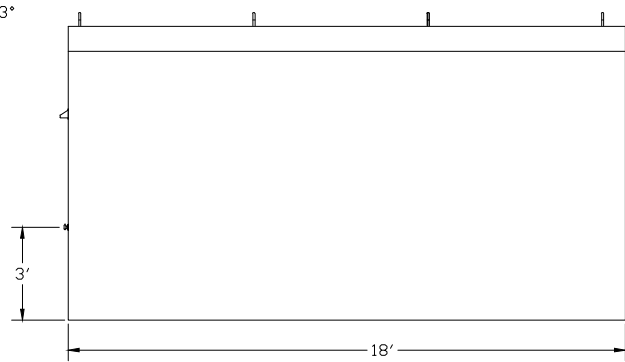
EXTERIOR COLOR:	#2445 GRAY CLOUD
INTERIOR COLOR:	#2445 GRAY CLOUD
INSULATION:	1" (R-7)
DOOR HDR:	SS SCHLAGE CLASSROOM STYLE SS STRAP HINGES SS SPRING CUSHIONED CRASH STOP
ACCESSORIES:	NONE



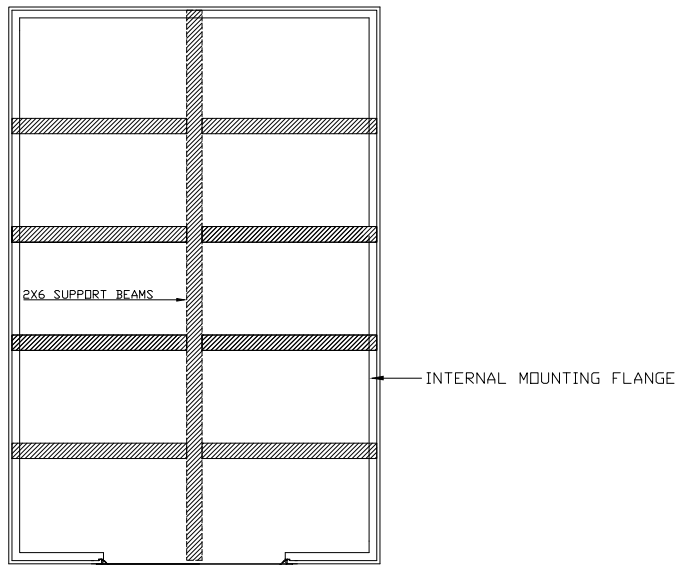
LEFT ELEVATION



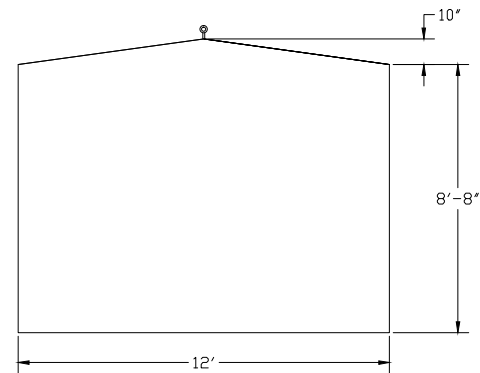
FRONT ELEVATION



RIGHT ELEVATION



PLAN VIEW



REAR ELEVATION

1) ANCHOR BOLTS BY OTHERS

	ONE-PIECE FRP BUILDING, 12'-0" W X 18'-0" D X 9'-6" H, WITH DOUBLE DOOR AND NO ELECTRICAL PACKAGE	
	DWG. NO. OPB-144-216-114-01	REV 0
PROJECT O&G SYRACUSE, NY	DATE 11/18/13	