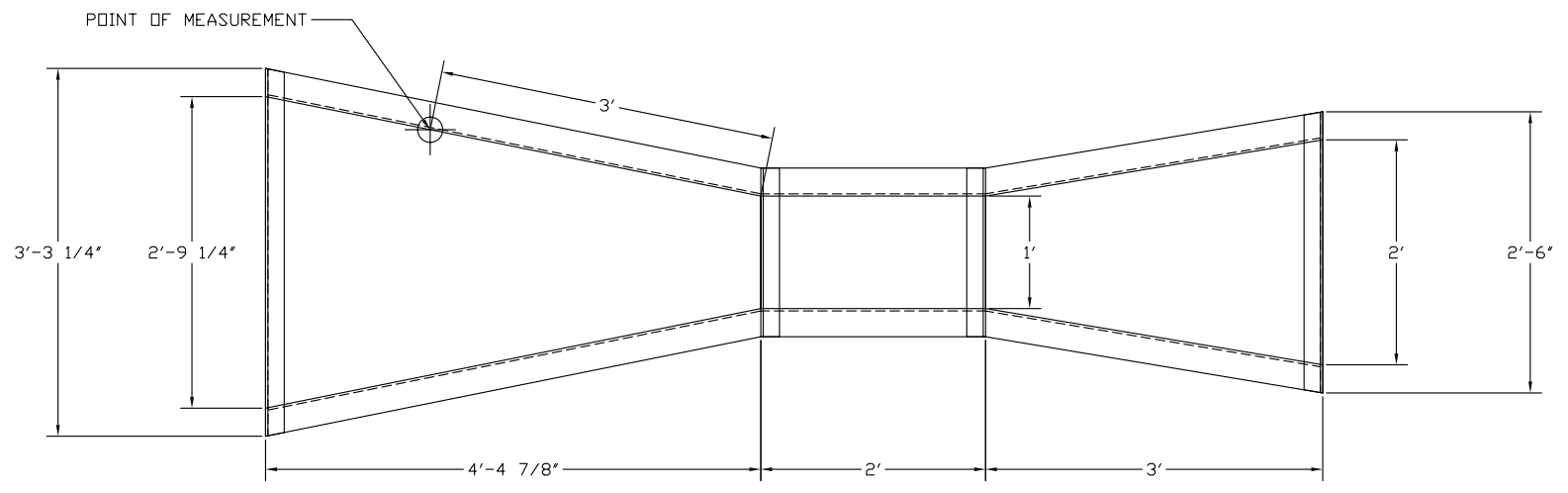
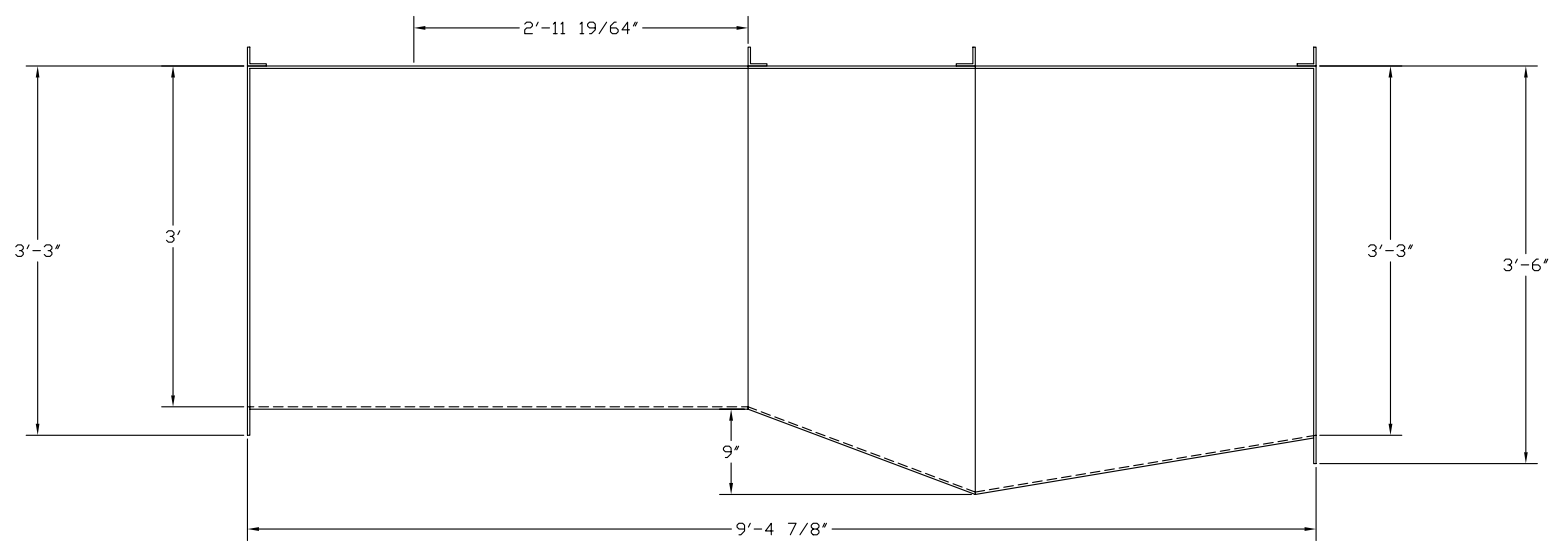


FLOW METER:	N/A
CONNECTION:	N/A
HDR:	2" x 2" PULTRUSION
ACCESSORIES:	NONE




PLAN VIEW



RIGHT ELEVATION

1) FLOW IS FROM LEFT TO RIGHT

 FIBERGLASS PRODUCTS	PARSHALL FLUME, SIZE 12 INCH	
	DWG. NO.	PAR-12-N-N-N-N-N-N
PROJECT	STANDARD FLUME SIZE	DATE 3/13/04
		REV 0