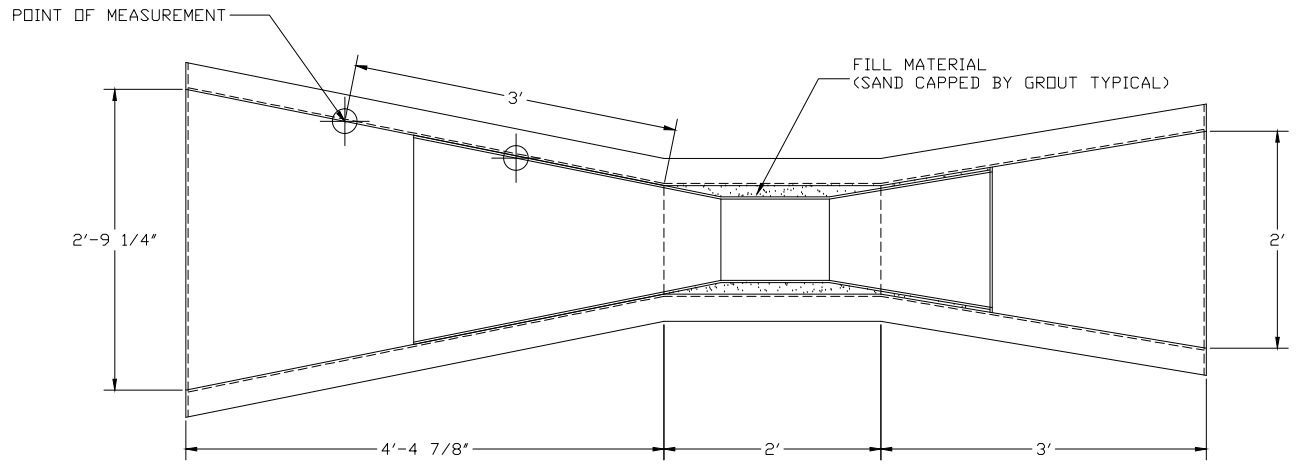
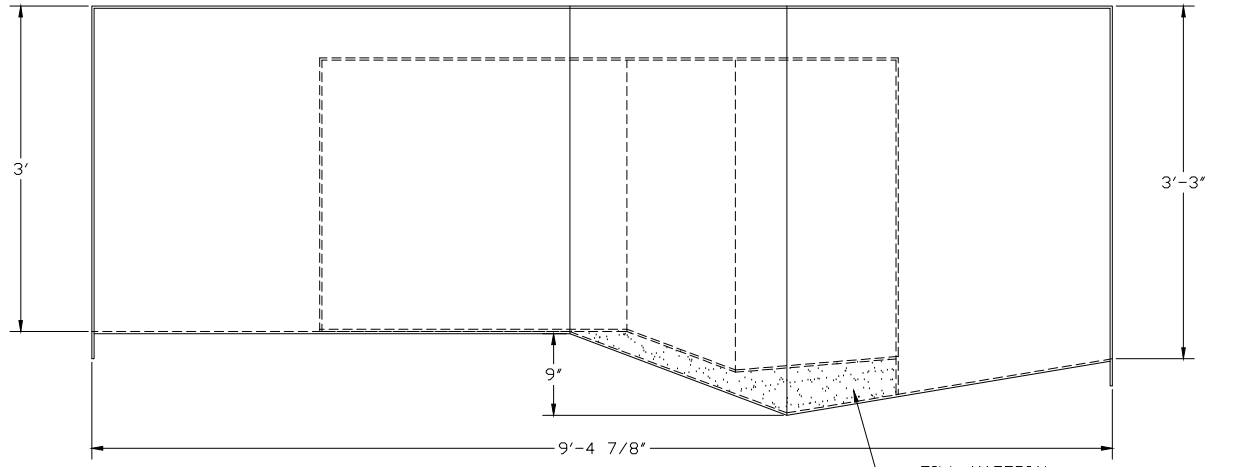


FLOW METER:	N/A
CONNECTION:	N/A
HDR:	2" X 2" PULTRUSION
ACCESSORIES:	NESTED 9" PARSHALL




PLAN VIEW



RIGHT ELEVATION

- 1) FLOW IS FROM LEFT TO RIGHT
- 2) FILL MATERIALS BY OTHERS
- 3) FRP ANGLES OVER FLUME THROATS NOT SHOWN FOR CLARITY
- 4) FILL SPACES BETWEEN FLUMES (SIDES AND BOTTOM) WITH APPROPRIATE MATERIAL (SAND CAPPED BY GROUT TYPICAL)

 FIBERGLASS PRODUCTS	PARSHALL FLUME, SIZE 12 INCH, WITH NESTED PARSHALL FLUME, SIZE 9 INCH	
	DWG. NO. PAR-9N12-N-N-N-N-N-N-N	REV 0
PROJECT	STANDARD FLUME SIZE	DATE 7/24/12