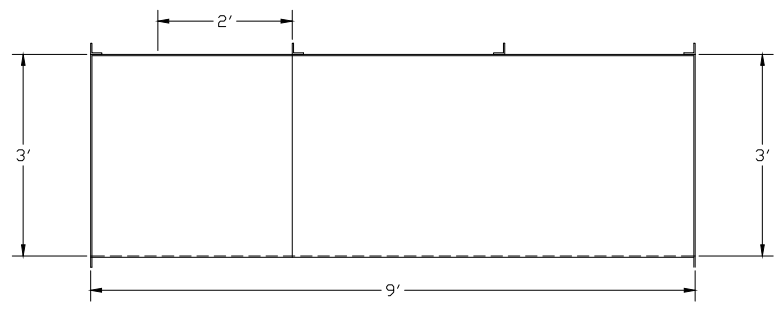



PLAN VIEW



RIGHT ELEVATION

FLOW METER:	N/A
CONNECTION:	CONCRETE CHANNEL
HDR:	2" X 2" PULTRUSION
ACCESSORIES:	NONE

1) FLOW IS FROM LEFT TO RIGHT

 FIBERGLASS PRODUCTS	CUTTHROAT FLUME, 108" L X 48" W	
	DWG. NO. CT-108x48-N-N-N-N PROJECT STANDARD FLUME SIZE	REV 0 DATE 7/10/03