

8

7

6

5

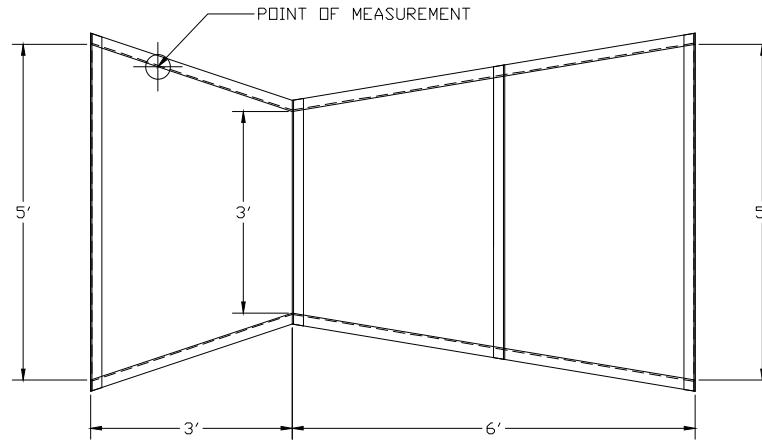
4

3

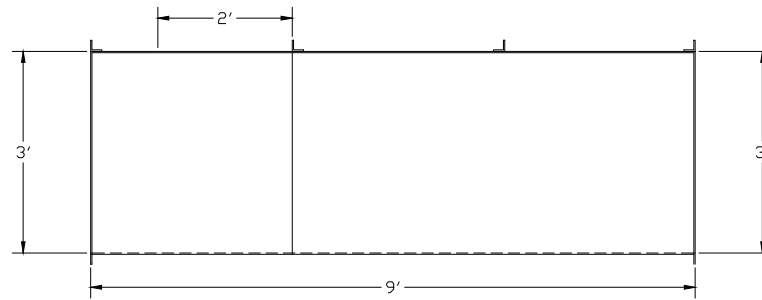
2

1

FLOW METER:	N/A
CONNECTION:	CONCRETE CHANNEL
HDR:	2" X 2" PULTRUSION
ACCESSORIES:	NONE



PLAN VIEW



RIGHT ELEVATION

1) FLOW IS FROM LEFT TO RIGHT

**TRACOM**  
FIBERGLASS PRODUCTS

CUTTHROAT FLUME, 108" L X 36" W

DWG. NO.	CT-108x36-N-N-N-N	REV	0
----------	-------------------	-----	---

PROJECT	STANDARD FLUME SIZE	DATE	9/26/12
---------	---------------------	------	---------

8

7

6

5

4

3

2

1