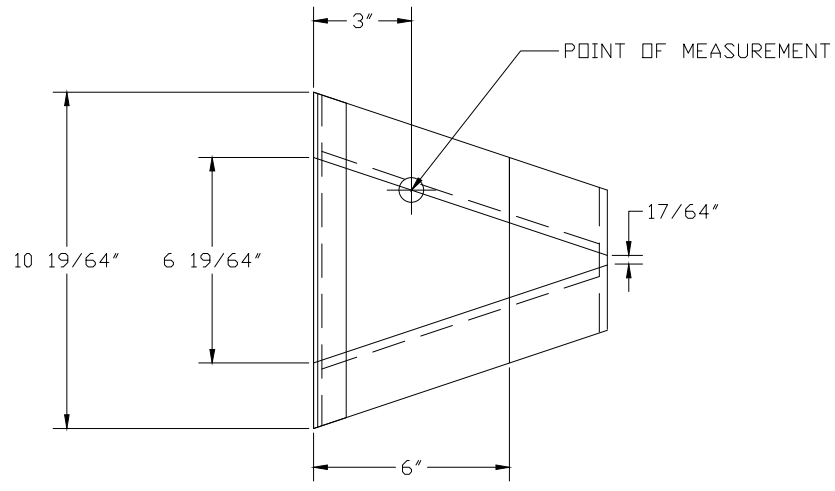
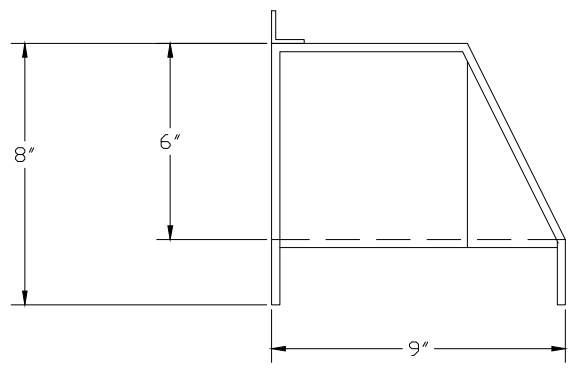


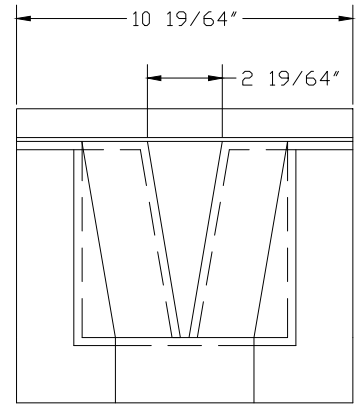
FLOW METER:	N/A
CONNECTION:	N/A
HDR:	1" X 1" PULTRUSION
ACCESSORIES:	NONE



PLAN VIEW




RIGHT ELEVATION



DISCHARGE ELEVATION

1) FLOW IS FROM LEFT TO RIGHT

 FIBERGLASS PRODUCTS	HS-FLUME, SIZE 0.5'	
	DWG. NO.	REV
PROJECT	U.S. GEOLOGICAL SURVEY ATLANTA, GA	DATE 1/27/04