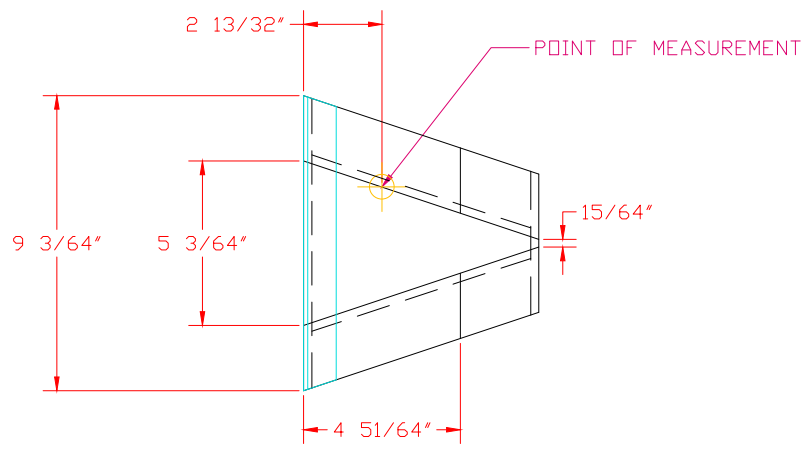
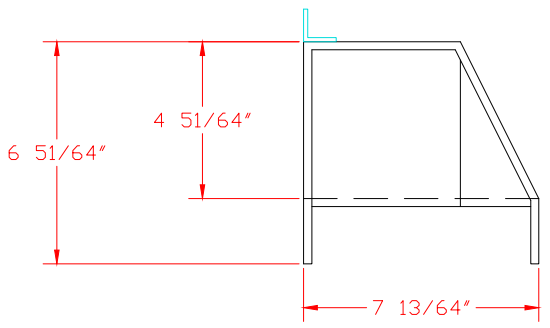


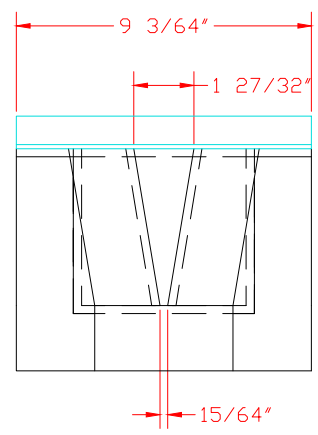
FLOW METER:	N/A
CONNECTION:	N/A
HDR:	1" X 1" PULTRUSION
ACCESSORIES:	NONE



PLAN VIEW



RIGHT ELEVATION



DISCHARGE ELEVATION

1) FLOW IS FROM LEFT TO RIGHT

	HS-FLUME, SIZE 0.4'	
	DWG. NO. HS0.4-N-N-N-N-N-N-N	REV 0
PROJECT	STANDARD FLUME SIZE	DATE 1/27/04