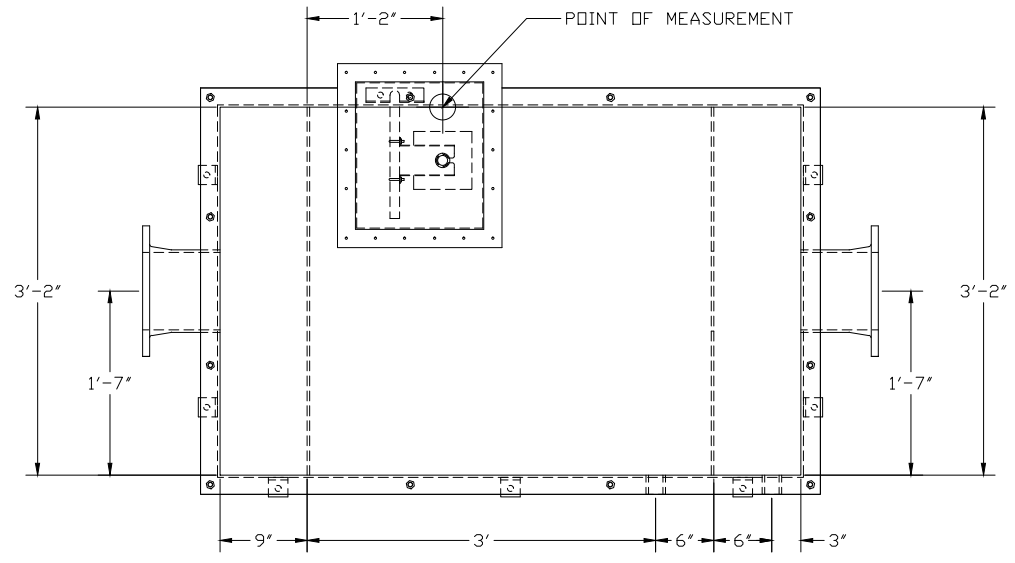
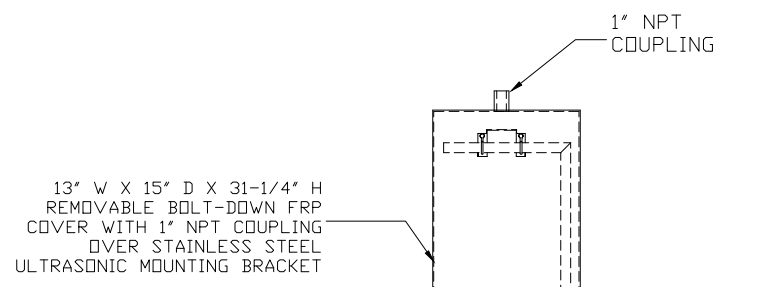


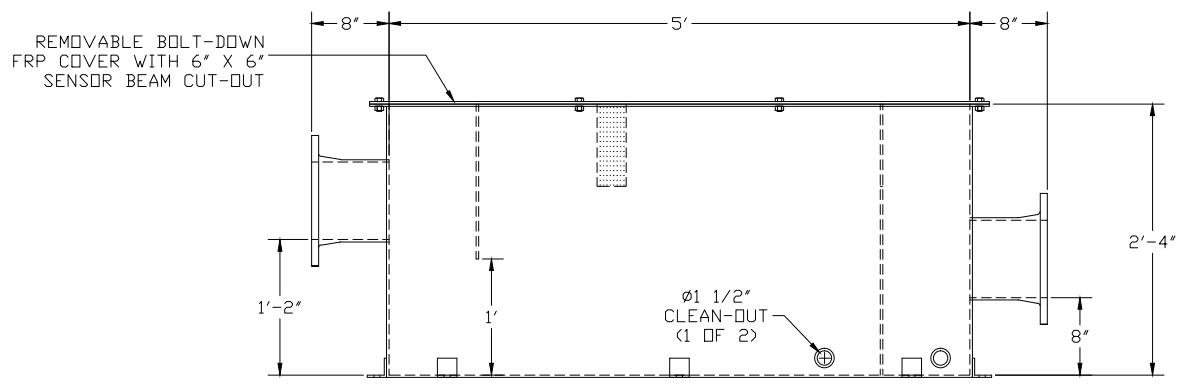
FLOW METER:	ULTRASONIC - (BY OTHERS)
CONNECTION:	8" ANSI 150# FLAT FACED FLANGES
ACCESSORIES:	STAFF GAUGE (AD/ENGLISH) BOLT DOWN FLAT FRP COVER 6" X 6" CUT-OUT



PLAN VIEW



DISCHARGE ELEVATION VIEW



RIGHT ELEVATION VIEW  
(ULTRASONIC RISER BOX NOT SHOWN FOR CLARITY)

- 1) FLOW IS FROM LEFT TO RIGHT
- 2) SIZED PER ISO 1438/1-1990
- 3) OPEN CHANNEL CONDITIONS MUST BE PRESENT
- 4) FIXED 45° V-NOTCH WEIR AND BAFFLE PLATES
- 5) SIDE STIFFENING RIBS NOT SHOWN FOR CLARITY
- 6) 8" ANSI 150# FLAT FACED FLANGES

	LARGE WEIR BOX, 38" W X 60" L X 28" H, WITH FIXED 45° V-NOTCH WEIR PLATE, FIXED BAFFLE PLATE, 8" ANSI 150# FLANGES, STAFF GAUGE (TENTHS) (RIGHT), COVER WITH 6" X 6" CUT-OUT, (2) 1-1/2" DIA. CLEAN-OUTS, AND RISER BOX	
	DWG. NO. WB-LRG-45V-B-F8-N-ER-N-BAAAA	REV 0
PROJECT UNION PACIFIC RAILROAD / JOLIET INTERMODAL TERMINAL / JOLIET, IL	DATE 9/2/09	