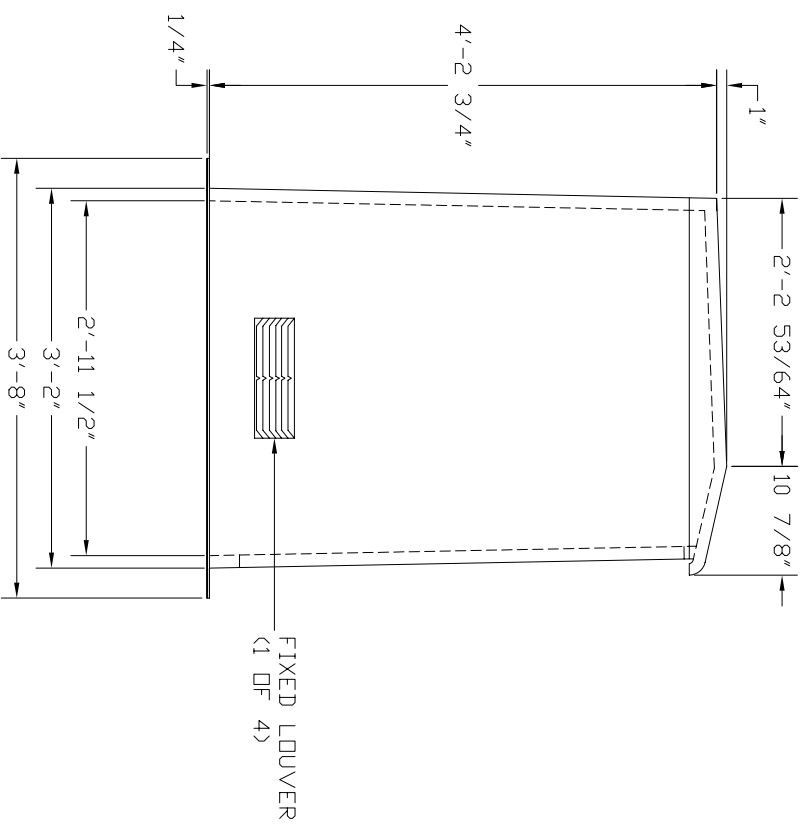



FRONT ELEVATION



LEFT ELEVATION

TDP ACCESS DOOR TO HAVE DOOR SUPPORT ARM  
 ALL DOOR NEOPRENE SEALED  
 7" W X 1/4" D EXTERNAL RIBBING OF ENCLOSURE  
 (AS SHOWN IN TDP VIEW)

 FIBERGLASS PRODUCTS		MODEL 200-091 REFRIGERATED SAMPLER ENCLOSURE WITH TOP AND FRONT LOCKABLE ACCESS DOORS, 1" FOAM CORE, & 3" MOUNTING FLANGE	
		DWG. NO. ENCL-200-091-01	REV 0
BY JPW	PROJECT	DATE 5/17/00	