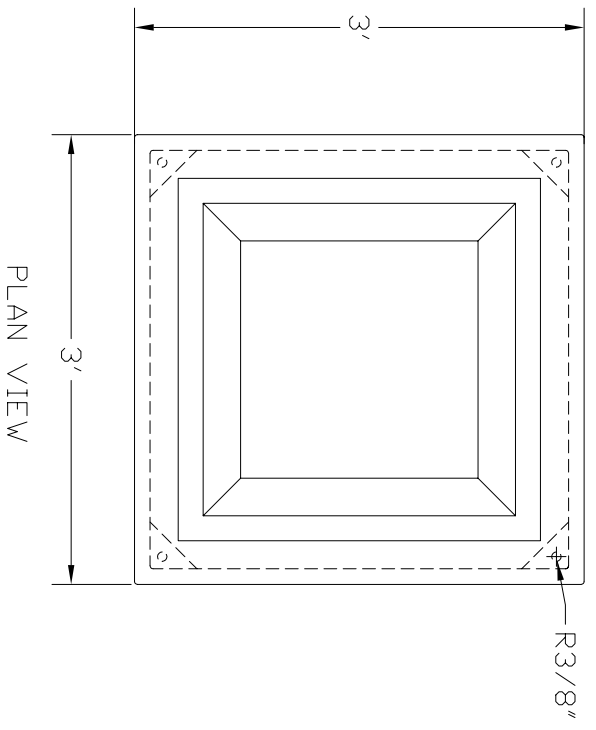
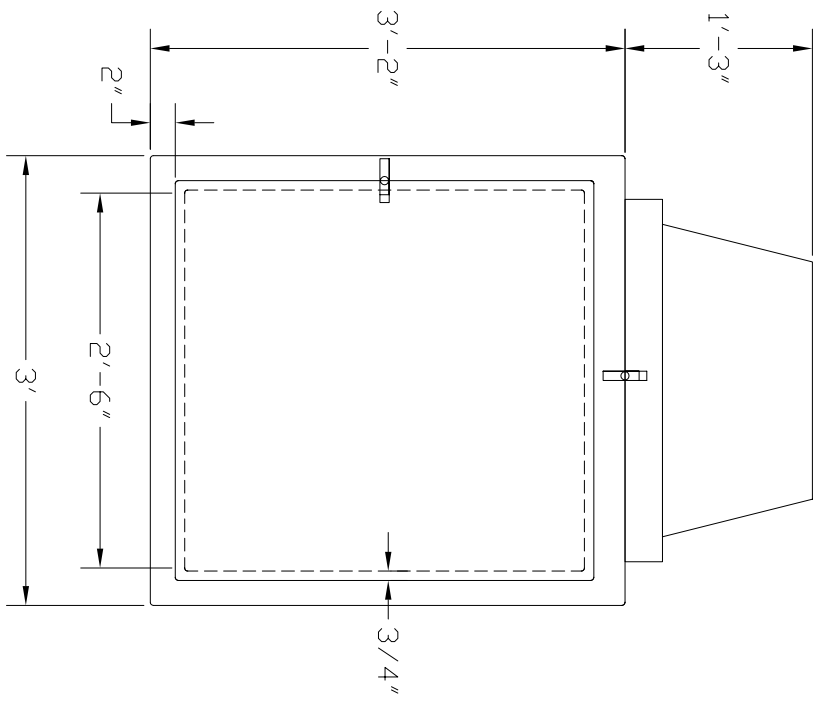


1" THICK ISOCYANURATE FOAM CORE IN WALLS, TOP, AND DOOR
 STAINLESS STEEL PAD LOCKABLE HASP, MODRE ZSSSRH
 STAINLESS STEEL CONTINUOUS PIANO HINGE
 FOUR (4) MOUNTING POINTS (AND FLOOR)



		MODEL 200-021 ENCLOSURE	
		DWG. NO.	200-021-01
BY	JPW	PROJECT	
DATE	1/23/01	REV	0