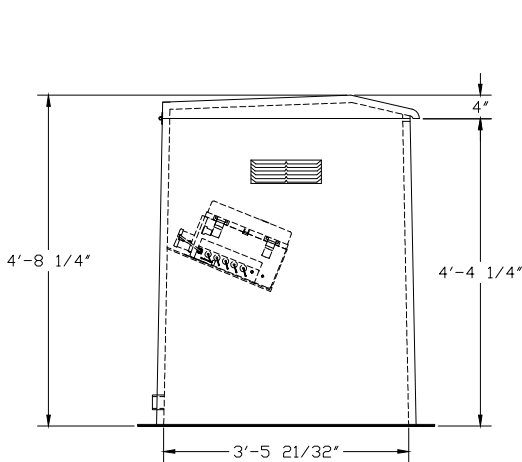
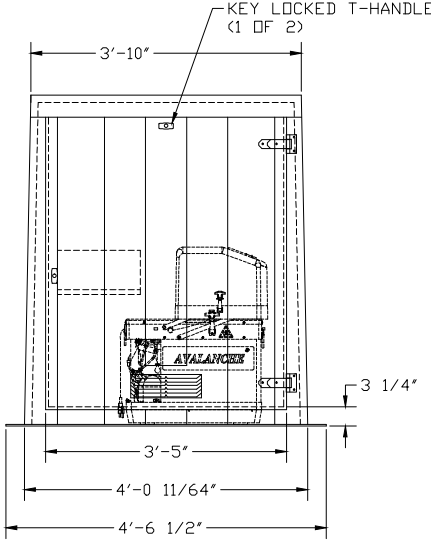


EXTERIOR COLOR:	#1555 WHALE BONE
INTERIOR COLOR:	#1555 WHALE BONE
INSULATION:	1" (R~7)
LOUVERS:	(4) FIXED
ACCESSORIES:	EQUIPMENT SHELF 2" COUPLING

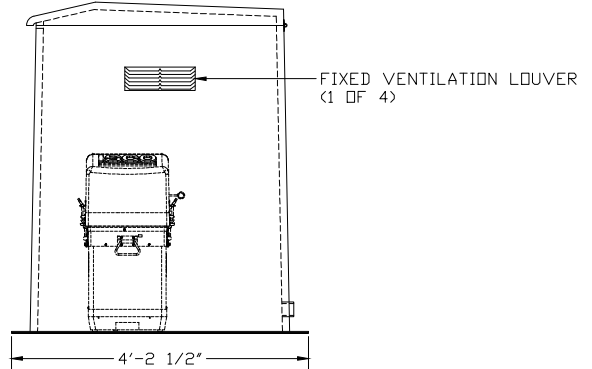
DOOR HDR:	SS STRAP HINGES - MIH 6521-SS
	SS PIANO HINGE - M 1582A115
	(2) SS KEY LOCKED T-HANDLES
	(2) SS SELF-LOCKING DOOR
	SUPPORT ARMS - MIH 107716



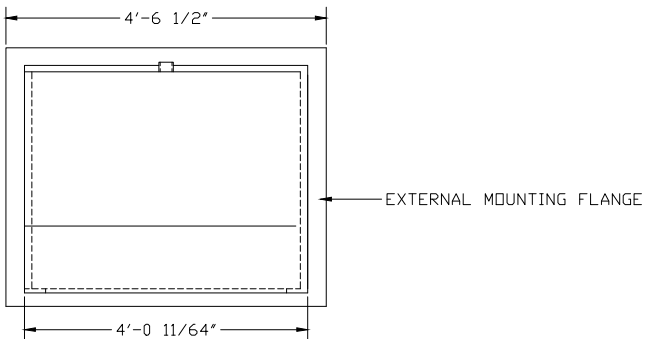
LEFT ELEVATION



FRONT ELEVATION



RIGHT ELEVATION



PLAN VIEW

- 1) INTEGRAL FLOOR
- 2) ANCHOR BOLTS BY OTHERS
- 3) TELEDYNE-ISCO 4210 ULTRASONIC FLOW METER AND AVALANCHE SEQUENTIAL PORTABLE SAMPLER

TRACOM
FIBERGLASS PRODUCTS

MODEL 200-095 ENCLOSURE, 54-1/2" W X 50-1/2" D X 56-1/4" H, WITH WHALE BONE GEL COAT, EQUIPMENT SHELF, AND 2" COUPLING

DWG. NO.	ENCL-200-095-05	REV	0
----------	-----------------	-----	---

PROJECT	CITY AND COUNTY OF DENVER, CO	DATE	1/31/07
---------	-------------------------------	------	---------