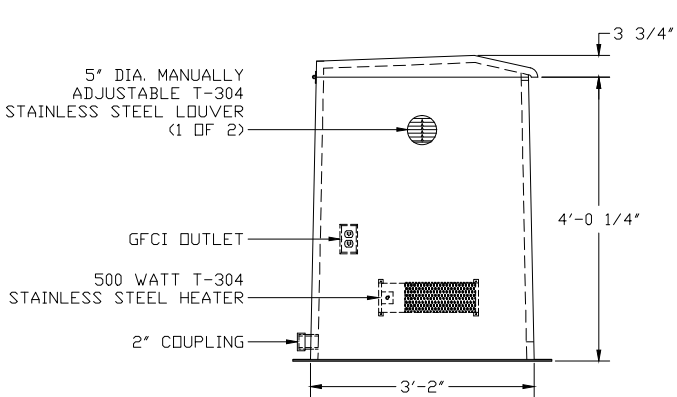
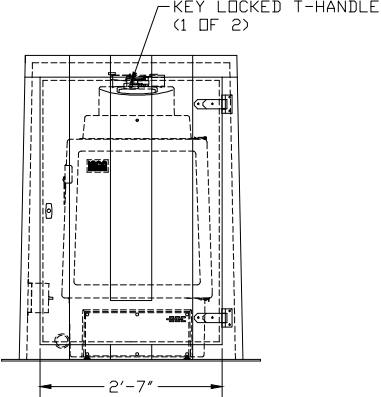


EXTERIOR COLOR:	#1555 WHALE BONE
INTERIOR COLOR:	#1555 WHALE BONE
INSULATION:	1" (R~7)
LOUVERS:	(2) 5" T-304 SS MANUALLY ADJ.
ACCESSORIES:	500 WATT SS HEATER - M1991K65 2" COUPLING GFCI OUTLET

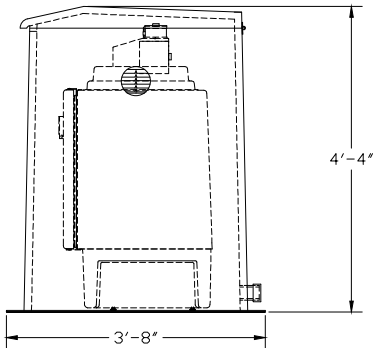
DOOR HDR:	SS STRAP HINGE - MIH 6521-SS SS PIANO HINGE - M 1582A115 (2) SS KEY LOCKED T-HANDLES (2) SS SELF-LOCKING DOOR SUPPORT ARMS - MIH 107716
-----------	---



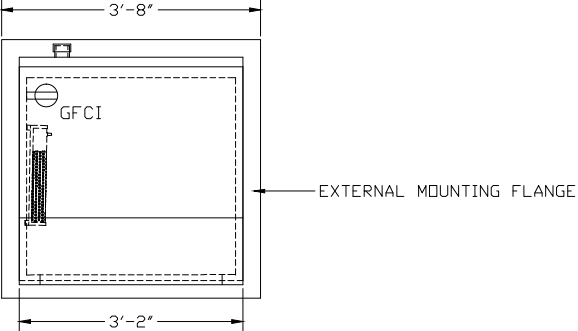
LEFT ELEVATION
(SAMPLER NOT SHOWN FOR CLARITY)



FRONT ELEVATION



RIGHT ELEVATION



PLAN VIEW
(SAMPLER NOT SHOWN FOR CLARITY)

- 1) INTEGRAL FLOOR
- 2) ANCHOR BOLTS BY OTHERS
- 3) ISCO 6712FR SAMPLER SHOWN

	MODEL 200-091 ENCLOSURE, 38" W X 38" D X 52" H, WITH WHALE BONE GEL COAT, 2" COUPLING, GFCI OUTLET, 500 WATT HEATER, AND (2) MANUALLY ADJUSTABLE LOUVERS	
	DWG. NO. ENCL-200-091-15	REV 0
PROJECT DELAFIELD-HARTLAND POLLUTION CONTROL COMM. DELAFIELD, WI	DATE 8/21/03	